

USE AND INSTALLATION MANUAL
MANUEL D'UTILISATION ET D'INSTALLATION



FCZI_220USPAF

220v

60Hz



Dear Customer,

Thank you for choosing an AERMEC product. This product is the result of many years of experience and in-depth engineering research, and it is built using top quality materials and advanced technologies. In addition, the CE mark guarantees that our appliances fully comply with the requirements of the European Machinery Directive in terms of safety. We constantly monitor the quality level, and as a result AERMEC products are synonymous with Safety, Quality, and Reliability.

The data may be subject to modifications deemed necessary for improving the product at any time and without forewarning.

Thank you again.
AERMEC S.p.A

Cher client,

Nous vous remercions d'avoir choisi un produit AERMEC. Ce dernier est l'aboutissement de plusieurs années d'expérience et d'études particulières de conception, et il a été fabriqué à l'aide de matériaux de tout premier choix et de technologies de pointe.

De plus, le marquage garantit que les appareils sont conformes aux conditions requises par la Directive des Machines Européenne en matière de sécurité. Le niveau qualitatif est sous surveillance constante et les produits AERMEC sont donc synonymes de Sécurité, Qualité et Fiabilité.

Les données peuvent subir les modifications estimées nécessaires pour améliorer le produit, à tout moment, sans aucune obligation de préavis.

Avec nos remerciements,
AERMEC S.p.A

AERMEC S.p.A. reserves the right to make any modifications considered necessary to improve its products at any moment and is not obliged to add these modifications to machines that have already been manufactured, delivered or are under construction.

AERMEC S.p.A se réserve le droit d'effectuer, à tout moment, tout type de modification dans le but d'améliorer son produit, et n'a aucune obligation d'ajouter ces modifications aux machines déjà fabriquées, livrées ou en cours de fabrication.

REMARKS

Store the manuals in a dry location to avoid deterioration, as they must be kept for at least 10 years for any future reference.

All the information in this manual must be carefully read and understood. Pay particular attention to the operating standards with "DANGER" or "WARNING" signals as failure to comply with them can cause damage to the machine and/or persons or objects.

If any malfunctions are not included in this manual, contact the local After-sales Service immediately.

The apparatus must be installed in such a way that maintenance and/or repair operations are possible.

The apparatus's warranty does not in any case cover costs due to automatic ladders, scaffolding or other lifting systems necessary for carrying out repairs under guarantee.

AERMEC S.p.A. declines all responsibility for any damage whatsoever caused by improper use of the machine, and a partial or superficial acquaintance with the information contained in this manual.

REMARQUES

Conserver les manuels dans un endroit sec, afin d'éviter leur détérioration, pendant au moins 10 ans, pour toutes éventuelles consultations futures.

Lire attentivement et entièrement toutes les informations contenues dans ce manuel. Prêter une attention particulière aux normes d'utilisation signalées par les inscriptions "DANGER" ou "ATTENTION", car leur non observance pourrait causer un dommage à l'appareil et/ou aux personnes et objets.

Pour toute anomalie non mentionnée dans ce manuel, contacter aussitôt le service après-vente de votre secteur.

Lors de l'installation de l'appareil, il faut prévoir l'espace nécessaire







pour les opérations d'entretien et/ou de réparation.

La garantie de l'appareil ne couvre pas les coûts dérivant de l'utilisation de voitures avec échelle mécanique, d'échafaudages ou d'autres systèmes de levée employés pour effectuer des interventions en garantie.




AERMEC S.p.A. décline toute responsabilité pour tout dommage dû à une utilisation impropre de l'appareil et à une lecture partielle ou superficielle des informations contenues dans ce manuel.

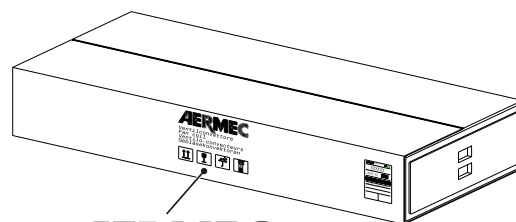
trasporto • transport • transport • transport • transporte.....	4
simboli di sicurezza • safety symbol • simboles de seguridad • sicherheitssymbole • símbolos de seguridad.....	4
identificazione del prodotto - product identification - identification du produit - kennzeichnung des produktes - identificación del producto.....	5
general warnings.....	6
information.....	6
aermec will not be liable for damage due to failure to follow these instructions.....	6
verifications upon reception.....	6
handling.....	6
product description.....	6
important maintenance information.....	7
packing.....	7
important maintenance information.....	8
packing.....	8
unit installation.....	9
electrical connections.....	9
alarm codes.....	10
dip switch setting.....	10
avertissements généraux.....	11
contrôles à la réception.....	11
manutention.....	11
description du produit.....	11
installation de l'unité.....	14
raccordements électriques.....	14
encodage des alarmes.....	15
configurations du commutateur dip.....	15
dispositifs de contrôle (non compris).....	15
operating limits - limites de fonctionnement.....	16
minimum average water temperature - température minimale moyenne de l'eau.....	16
drawings - dessins.....	18
dimensions • dimensions [inch].....	19
dimensions • dimensions • abmessungen • dimensiones [inch].....	19
schemi elettrici • wiring diagrams • schemas électriques • schaltpläne • esquemas eléctricos.....	21
trouble shooting.....	22

TRASPORTO • TRANSPORT • TRANSPORT • TRANSPORT • TRANSPORTE

	NON bagnare. Tenere al riparo dalla pioggia.	KEEP DRY. Keep out of the rain.	NE PAS mouiller. Tenir à l'abri de la pluie.	NICHT nass machen. Vor Regen geschützt anbringen	NO mojar. Conservar protegido de la lluvia.
	NON calpestare.	DO NOT step on unit.	NE PAS marcher sur l'appareil.	NICHT betreten .	NO pisar.
	Sovrapponibilità: controllare sull'imballo per conoscere il numero di macchine impilabili.	Stackability: check the package to know the number of stackable machines.	Empilement : vérifier sur l'emballage le nombre d'appareils empilables.	Stapelbarkeit: Auf der Verpackung nachsehen, wie die Anzahl der stapelbaren Geräte lautet.	Superponibilidad: observar en el embalaje la cantidad de máquinas que pueden apilarse.
	NON trasportare la macchina da soli se il suo peso supera i 25Kg/55lb.	DO NOT carry the equipment alone if weight exceeds 25Kg/55lb.	NE PAS faire transporter l'appareil par une seule personne si son poids est supérieur à 25Kg/55lb.	NICHT das Gerät allein transportieren, wenn sein Gewicht die 25Kg/55lb übersteigt.	NO transportar la máquina solos si su peso es superior a los 25Kg/55lb.
	NON lasciare gli imballi sciolti durante il trasporto. Non rovesciare.	DO NOT leave boxes unsecured during transportation. Do not overturn.	NE PAS laisser les emballages sans attaches durant le transport. Ne pas renverser.	NICHT die Verpackungen während des Transports geöffnet lassen. Nicht stürzen.	NO dejar los embalajes sin sujetar durante el transporte. No invertir.
	Fragile, maneggiare con cura.	Fragile, handle with care.	Fragile, manipuler avec soin.	Zerbrechlich, sorgfältig handhaben.	Frágil, manipular con cuidado.

SIMBOLI DI SICUREZZA • SAFETY SYMBOL • SIMBOLES DE SECURITE • SICHERHEITSSYMBOLLEOLE • SÍMBOLOS DE SEGURIDAD

	Pericolo: Tensione	Danger: Power supply	Danger: Tension	Gefahr ! Spannung	Peligro: Tensión
	Pericolo: Organi in movimento	Danger: Movings parts	Danger: Organes en mouvement	Gefahr ! Rotierende Teile	Peligro: Elementos en movimiento
	Pericolo!!!	Danger!!!	Danger!!!	Gefahr!!!	Peligro!!!
	Imballo: indicazioni per trasporto e stoccaggio	Packing: indications for transport and storage	Emballage: indications pour le transport et le stockage	Verpackung: Anweisungen für Transport und Lagerung	Embalaje: indicaciones para el transporte y el almacenamiento



AERMEC
Ventilconvettore
Fan coil
Ventiló-convecteurs
Gebläsekonvektoren



IDENTIFICAZIONE DEL PRODOTTO - PRODUCT IDENTIFICATION - IDENTIFICATION DU PRODUIT - KENNZEICHNUNG DES PRODUKTES - IDENTIFICACIÓN DEL PRODUCTO

IT

I ventilconvettori sono identificabili attraverso:

ETICHETTA IMBALLO

Posta sull'imballo, riporta i dati identificativi del prodotto.

TARGHETTA TECNICA

Posta all'interno dell'unità, riporta i dati identificativi e tecnici del prodotto.

ATTENZIONE: La manomissione, l'asportazione, la mancanza della targhetta di identificazione o quant'altro non permetta la sicura identificazione del prodotto, rende difficoltosa qualsiasi operazione di installazione e manutenzione.

EN

The fan coils can be identified through:

PACKAGING LABEL

Located on the packaging, it indicates the product identification data.

TECHNICAL PLATE

Located inside the unit, it indicates the identification and technical data of the product.

ATTENTION: Tampering, removal, the lack of the identification plate does not allow the product to be safely identified and will complicate any installation or maintenance operations.

FR

Les ventilo-convecteurs peuvent être identifiés par :

L'ÉTIQUETTE D'EMBALLAGE

Elle se trouve sur l'emballage et reporte les données d'identification du produit.

LA PLAQUE TECHNIQUE

Elle se trouve à l'intérieur de l'unité et reporte les données d'identification et les caractéristiques techniques du produit.

ATTENTION : L'altération, l'enlèvement, l'absence de la plaque d'identification ou de tout autre élément ne permettant pas d'identifier clairement le produit, complique toute opération d'installation et de maintenance.

DE

Die Gebläsekonvektoren sind gekennzeichnet durch:

VERPACKUNGSETIKETT Auf der Verpackung angebracht, enthält die Kenndaten des Produktes.

TYPENSCHILD Im Inneren der Einheit angebracht, enthält die Kenndaten und die technischen Merkmale des Produktes.

ACHTUNG: Die Veränderung, das Entfernen oder das Fehlen des Typenschildes oder anderer Elemente, welche die sichere Identifizierung des Produktes ermöglichen, erschweren die Installations- und Wartungsarbeiten.

ES

Los ventiloconvectores se pueden identificar a través de:

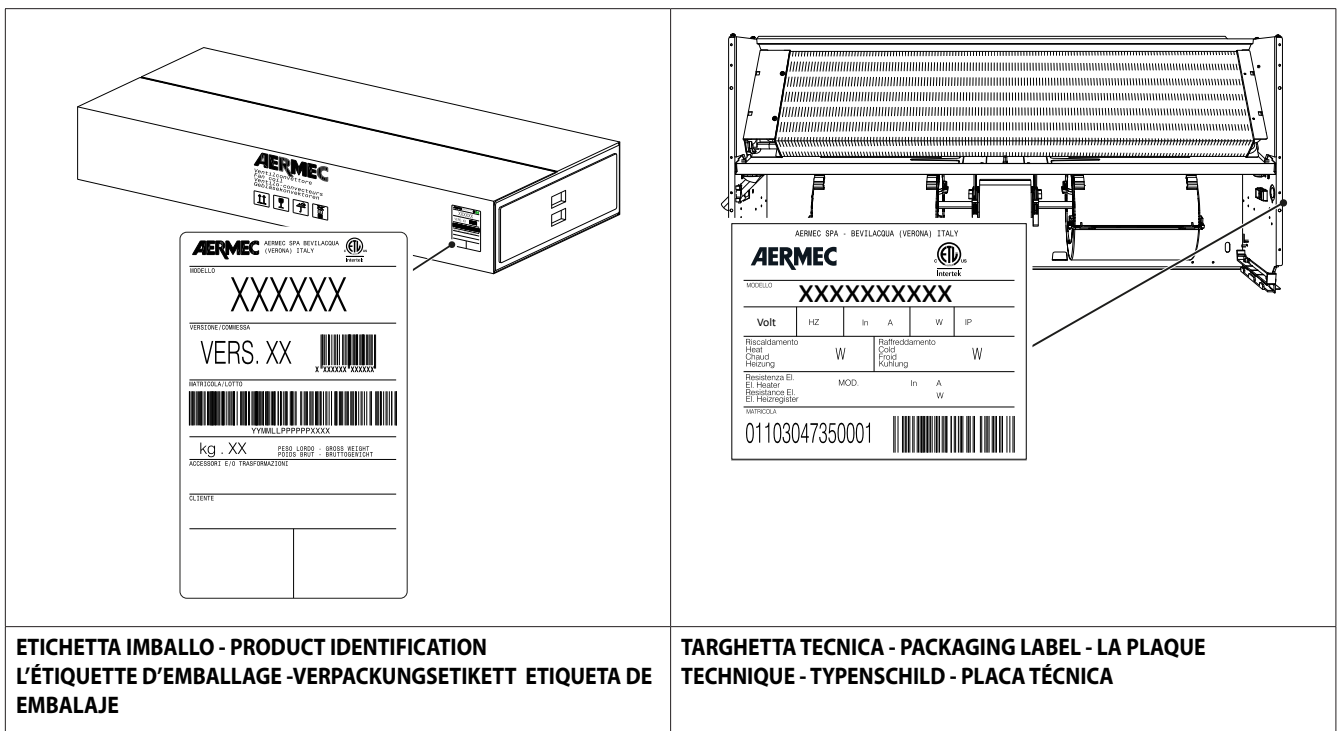
ETIQUETA DE EMBALAJE

Colocada en el embalaje, muestra los datos de identificación del producto.

PLACA TÉCNICA

Colocada dentro de la unidad, muestra los datos de identificación y técnicos del producto.

ATENCIÓN: La alteración, extracción, falta de la placa de identificación técnica o todo lo que no permita la identificación segura del producto, vuelve dificultosa cualquier operación de instalación y mantenimiento.



GENERAL WARNINGS

WARNINGS REGARDING SAFETY AND INSTALLATION STANDARDS
Follow the indications below to install the equipment correctly. The completion of all operations, according to specific requirements, is left to the experience of the installer.

Do not modify or tamper with the units, as dangerous situations can occur. The manufacturer will not be liable for any damage caused. The validity of the warranty shall be void in the event of failure to comply with the indications mentioned in this manual. Before starting any operations, READ THESE INSTRUCTIONS CAREFULLY AND CARRY OUT THE SAFETY CHECKS TO AVOID ALL RISKS.

All the staff involved must have thorough knowledge of the operations and any danger that may arise when the installation operations are carried out.

The unit must be installed to facilitate routine (filter cleaning) and special maintenance operations.

⚠ ATTENTION: The appliance can be used by children over the age of 8 and by people with reduced physical, sensory or mental capabilities or without experience or necessary knowledge, as long as they are supervised or have been instructed on the safe use. Of the appliance and on the understanding of the dangers inherent to it. Children must not play with the appliance. The cleaning and maintenance to be carried out by the user must not be carried out by children without supervision.

⚠ ATTENTION: the fan coil is connected to the power supply and the hydraulic circuit. Operations performed by persons who do not have the required technical skills can lead to personal injury to the operator or damage the unit and the surrounding environment.

⚠ ATTENTION: The unit must be installed in compliance with national regulations.

⚠ ATTENTION: make sure that the power supply has been disconnected before carrying out any interventions.

⚠ ATTENTION: Install a device, master switch or electric plug that allows the unit's power supply to be completely disconnected.

⚠ ATTENTION: In order to protect the unit against short circuits, mount a magnet circuit breaker omnipolar switch on the power supply line. In order to avoid any danger due to the accidental rearming of the thermal cut-out device, this appliance must not be powered with an external switching device, such as a timer, or be connected to a circuit that is regularly powered or disconnected from the service.

⚠ ATTENTION! DANGER! Any use other than what is indicated by Aermec is prohibited.

PRODUCT DESCRIPTION

- Brushless motor with 0-100% speed continuous variation to guarantee best performance at very low sound level
- Low loss of charge in the heat exchanger
- Easy installation and maintenance
- Air filter easily removed and cleaned, self-supporting structure, characterised by a high efficiency and low pressure drops-

⚠ ELECTRIC POWER SUPPLY CABLE If the power supply cable is damaged, it must be replaced with a new cable of adequate section. Have the repair made by "Qualified personnel", in order to prevent any risk.

Do not repair damaged cables.

For the electric power supply, use integral cables with suitable section for the load.

INFORMATION

⚠ ATTENTION: the electric and hydraulic connections, together with installation of the fan coils and their accessories must only be performed by technicians who have the technical-professional requisites for installation, transformation, extension and maintenance of the systems and who can verify these functions in terms of safety and functionality (in accordance with the national laws in force in the country of installation). In this manual they will be also identified as: experienced and qualified technician with specific technical knowledge.

AERMEC WILL NOT BE LIABLE FOR DAMAGE DUE TO FAILURE TO FOLLOW THESE INSTRUCTIONS.

- Make sure the unit has not been damaged during transport before installation.
- using a damaged machine could be dangerous.
- the support surface must withstand the weight of the unit.

Note:

Always indicate the serial number for future reference and for any communication with AERMEC S.p.A.

VERIFICATIONS UPON RECEPTION

- Visually check the unit upon reception to make sure that:
- the order corresponds with what is indicated in the transport documents;
- packaging is intact;
- the unit is intact;
- all the components have been provided.
- Indicate any damage or missing components on the transport document.

HANDLING

- **⚠ ATTENTION!** : Wear proper personal protective equipment (PPE) during handling operations.
- Fully remove the unit and the components from the packaging before installation and use.

**ATTENTION**

Electrical diagrams, installation and operating instructions for accessories and thermostats are supplied together with the accessory itself. For more information contact Aermec.

MALFUNCTION

WARNING: In the event of a malfunction refer to the Table of Alarm Codes to interpret the signals from the two LEDs (Alarm / Power) which indicate the operating status of the unit. The inverter wiring diagram is located within the unit.

IMPORTANT MAINTENANCE INFORMATION

WARNING: The fancoil is connected to the power supply and a water circuit. Operations performed by persons without the required technical skills can lead to personal injury to the operator or damage to the unit and surrounding objects.

POWER THE FANCOIL WITH SINGLE-PHASE 220V

Use of other power supplies could cause permanent damage to the fancoil.

NEVER USE THE FANCOIL FOR APPLICATIONS FOR WHICH IT WAS NOT DESIGNED

- Do not use the fancoil in husbandry applications (e.g. incubation).

AIR THE ROOM

- Periodically air the room in which the fancoil has been installed; this is particularly important if the room is occupied by many people, or if gas appliances or sources of odours are present.

CORRECTLY ADJUST THE TEMPERATURE

- Room temperature should be regulated to ensure maximum comfort to persons present, particularly in the case of the elderly, infants and invalids. Prevent temperature fluctuations between indoors and outdoors greater than 7 °C- 44,6 °F during summer.
- Note that very low temperatures during summer will lead to greater electricity consumption.

ORIENT AIR FLOW CORRECTLY

- Air delivered by the fancoil should not be oriented directly at people; even if air temperature is greater than room temperature, it can cause a cold sensation and consequently discomfort.

DO NOT USE HOT WATER

- When cleaning the indoor unit, use rags or soft sponges soaked in warm water (no higher than 40°C-104°F).
- Do not use chemical products or solvents to clean any part of the fancoil.
- Do not splash water on interior or exterior surfaces of the fancoil; danger of short circuit.

PERIODICALLY CLEAN THE FILTER

- Frequent cleaning of the filter will ensure more efficient unit operation.
- Check whether the filter requires cleaning; if it is particularly dirty, clean it more often.
- Clean the filter frequently. Use a vacuum cleaner to remove built up dust. Avoid water or detergents if possible since they greatly accelerate loss of the filter's electrostatic charge.
- After cleaning and drying the filter, fit it on the fancoil by following the removal procedure in reverse order.

SPECIAL CLEANING

- The removable drip tray and fan volute ensure thorough cleaning of the unit (by specifically trained personnel), essential for installations in venues subject to crowding or in those with special hygiene requirements (**chapter "drawings - Figure 1"**).

DURING UNIT OPERATION

- Always leave the filter on the fancoil during operation (otherwise dust in the air could soil the surface of the coil).

IT IS NORMAL

- During cooling, water vapour may be present in the air delivery of the fan coil.
- In the heating function it might be possible to hear a slight hiss around the fan coil. Sometimes the fan coil might give off unpleasant smells due to the accumulation of dirt in the air of the environment (especially if the room is not ventilated regularly, clean the filter more often).
- During the operation, there could be noises and creaks inside the device, due to the various heat expansions of the elements (plastic and metallic), but this does not indicate any malfunctioning and does not cause damage to the unit unless the maximum input water temperature is exceeded.

WARNING

- Avoid that the device is used by children or incompetent persons without appropriate supervision; also note that the unit should not be used by children as a game.

PACKING

- The units are shipped in cardboard box standard packing and polystyrene shells.

IMPORTANT MAINTENANCE INFORMATION

WARNING: The fancoil is connected to the power supply and a water circuit. Operations performed by persons without the required technical skills can lead to personal injury to the operator or damage to the unit and surrounding objects.

POWER THE FANCOIL WITH SINGLE-PHASE 220V ONLY

- Use of other power supplies could cause permanent damage to the fancoil.

NEVER USE THE FANCOIL FOR APPLICATIONS FOR WHICH IT WAS NOT DESIGNED

- Do not use the fancoil in husbandry applications (e.g. incubation).

AIR THE ROOM

- Periodically air the room in which the fancoil has been installed; this is particularly important if the room is occupied by many people, or if gas appliances or sources of odours are present.

CORRECTLY ADJUST THE TEMPERATURE

- Room temperature should be regulated to ensure maximum comfort to persons present, particularly in the case of the elderly, infants and invalids. Prevent temperature fluctuations between indoors and outdoors greater than 44,6 °F during summer.
- Note that very low temperatures during summer will lead to greater electricity consumption.

ORIENT AIR FLOW CORRECTLY

- Air delivered by the fancoil should not be oriented directly at people; even if air temperature is greater than room temperature, it can cause a cold sensation and consequently discomfort.

DO NOT USE HOT WATER

- When cleaning the indoor unit, use rags or soft sponges soaked in warm water (no higher than 40°C-104°F).
- Do not use chemical products or solvents to clean any part of the fancoil.
- Do not splash water on interior or exterior surfaces of the fancoil; danger of short circuit.

PERIODICALLY CLEAN THE FILTER

- Frequent cleaning of the filter will ensure more efficient unit operation.
- Check whether the filter requires cleaning; if it is particularly dirty, clean it more often.
- Clean the filter frequently. Use a vacuum cleaner to remove built up dust. Avoid water or detergents if possible since they greatly accelerate loss of the filter's electrostatic charge.
- After cleaning and drying the filter, fit it on the fancoil by following the removal procedure in reverse order.

ATTENTION

In the case of installation in very dusty environments, clean the dust accumulated in the metal clips inserted into the filter guides with a vacuum cleaner; perform a visual inspection in order to verify the contact between clips and filter. Every anomaly must be communicated to the After-sales Service (See section "Drawings" Figure 1 ").

SPECIAL CLEANING

- The removable drip tray and fan volute ensure thorough cleaning of the unit (by specifically trained personnel), (See Fig.6 page 34) essential for installations in venues subject to crowding or in those with special hygiene requirements.

DURING UNIT OPERATION

- Always leave the filter on the fancoil during operation (otherwise dust in the air could soil the surface of the coil).

IT IS NORMAL

- During cooling, water vapour may be present in the air delivery of the fan coil.
- In the heating function it might be possible to hear a slight hiss around the fan coil. Sometimes the fan coil might give off unpleasant smells due to the accumulation of dirt in the air of the environment (especially if the room is not ventilated regularly, clean the filter more often).
- During the operation, there could be noises and creaks inside the device, due to the various heat expansions of the elements (plastic and metallic), but this does not indicate any malfunctioning and does not cause damage to the unit unless the maximum input water temperature is exceeded.

WARNING

- Avoid that the device is used by children or incompetent persons without appropriate supervision; also note that the unit should not be used by children as a game.

ATTENTION

Take out the ambient probe, taking care not to wrench out the cable connected to the control board. Replace the probe and connect the cable in the same position (See section "Drawings" Figure 2 ").

PACKING

- The units are shipped in cardboard box standard packing and polystyrene shells.

UNIT INSTALLATION

CAUTION: check that the power supply is disconnected before performing operations on the unit.

CAUTION: wiring connections installation of the fancoil and relevant accessories should be performed by a technician who has the necessary technical and professional expertise to install, modify, extend and maintain plants and who is able to check the plants for the purposes of safety and correct operation.

The fancoil should be installed in such a way as to facilitate routine (filter cleaning) and special maintenance operations, as well as access to the air breather valve on the side of the unit frame (connector side).

To install the unit, proceed as follows:

- In the case of floor-mounted units on bases, refer to the instructions supplied with the accessory.

- Use expansion plugs to secure the unit to the wall or ceiling, (not supplied) (**chapter "drawings - fig.2/fig.3"**)

To install hanging units with the AMPZ brackets, proceed as follows:

- fit the 4 brackets (**chapter "drawings - fig.4"**) to the sides of the unit (a); insert the upper tab in the slot, then secure the lower part to the contact block by means of the screws supplied;

- secure the flanges to the ceiling by means of expansion plugs (not supplied); for the positions between the flanges and the contact block, see the dimensional data.

- Make hydraulic connections (**chapter "drawings - fig.6"**)

Refer to the dimensional data for the position and diameter of the hydraulic connectors.

Insulate water lines adequately or fit the condensate drainage

tray (available as an accessory) to prevent dripping during cooling applications.

For a correct tightening of the hydraulic fittings during the installation it is necessary to use 10 teflon turns and a maximum torque of 14 Nm (**chapter "drawings - fig.5"**)

In case of horizontal installation, fit the condensate discharge pipe (supplied separately) following the indications shown in picture 10. The connection between pipe and drip tray must be sealed with silicone (**chapter "drawings - fig.7"**).

The condensate drainage system should be of an adequate size and be positioned to favour runoff (min. 1% slope). If condensate is discharged into the sewage system, install a siphon to prevent return of unpleasant odour into the room.

- Make the electrical connections as shown in the wiring diagrams.

- Remount the front panel, connect the ambient sensor (if present).

- CAUTION: Keep separate electrical connections from water connections.

Water connections and drain should be on the side opposite of the electrical connections.

ELECTRICAL CONNECTIONS

CAUTION: make sure that electrical power to the machine has been turned off before making electrical connections.

CAUTION: wiring operations and installation of the fancoil and relative accessories should be performed by specialised personnel only.

CONNECTION CABLE SPECIFICATIONS

Use H05V-K or N07V-K type with 300/500 V insulation piped or ducted.

All cables must be piped or ducted until they are not placed inside the fan coil.

The cables coming out of the pipe/duct must not be subjected to stretch or twist. They must be protected from weather conditions.

Stranded wires may only be used in connection with terminating sleeves. It must be ensured that all individual wires are correctly inserted in the sleeve.

All wiring diagrams are constantly updated. Please refer to the ones supplied with the unit.

To protect fan coils against short circuits, always fit the power cable to the units with 2A 120V (IG) thermo-magnetic all-pole switches with a minimum contact gap of 3 mm / 0,118 in.

We recommend using differential devices suitable for intervening for currents of different type:

 **sinusoidal AC and pulsating DC currents suddenly applied or slowly rising.**

 **sinusoidal AC with frequency up to 1000 hz.**

The assembling place must be chosen so that the max. and min. room temperature limit is respected 0÷45°C/ 0÷113°F (<85% U.R.).

The control panel may not be fitted on a metal wall unless this is permanently connected to a grounded outlet.

The control panels consist simply of electric circuits connected to the mains voltage of 220V; all the inputs for the sensors and controls must therefore be correspondingly insulated for this

voltage.

Some control panels are fitted with a room temperature probe and/or a water temperature probe. In addition, it is possible to connect an external contact to the internal control board (EX), allowing the remote control of the fan coil; consult the recapitulatory table and the manuals of the individual panels to select the most suitable model.

The minimum water temperature probe makes it possible to stop the ventilation automatically if the temperature of the input water to the coil falls below 39°C - 102,2°F.

In installations with a three-way valve, the minimum water temperature probe must be relocated from its standard mounting in the coil to the delivery hose upstream of the valve.

When relocating the water temperature probe, the standard probe must be replaced with an accessory SW3 probe, fitted with a cable of suitable length.

CAUTION: given that it is powered to 220 VAC, the probe has double insulation.

Multifunction electronic thermostats are supplied ready to operate in standard configuration, though can be adjusted to the specific operating requirements by means of the internal dip-switches.

Customised functions vary between models; for this reason, consult the relative manuals.

The connections are made by the manufacturer as shown in the picture (**chapter "drawings - fig.7"**).

WARNING: check whether the installation has been carried out correctly. Follow the checking procedures indicated in the manuals of the control panels.

ALARM CODES

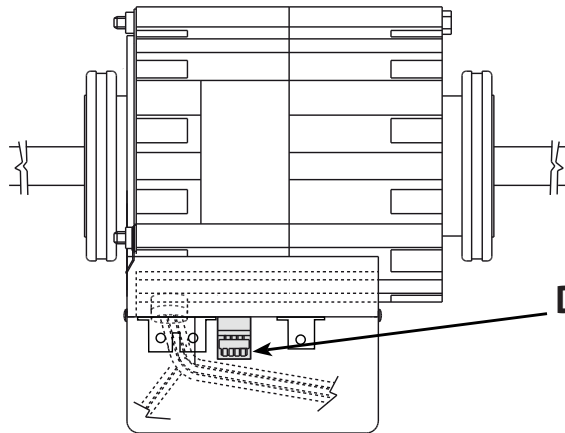
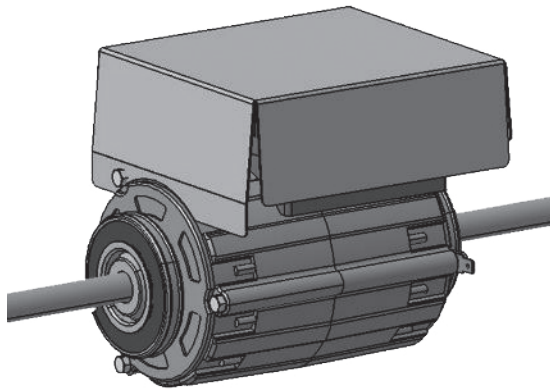
This section is reserved for the After Sales service only.

The card is located inside the unit and requires dismantling.

DANGER! Only qualified service personnel can access it.

There are 2 LEDs on the Inverter card (Alarm / Power) that indicate the unit's operating status.

The table below shows how to decode the messages.



DIP SWITCH



ALARM TYPE	INDICATIONS	IRREGULARITY	NOTES
High temperature	ALARM LED flashes	Motor off	Auto-Restart Alarm. If the conditions persist after 1.5min, the alarm becomes permanent, the Alarm LED stays on, the system turns off.
Overvoltage	3sec ON 0.5sec OFF		
Undervoltage	The LED is permanently ON after 1.5min		
Overcurrent			
Overload	ALARM LED flashes	Speed reduction	Power limitation
Safety control	0.5sec ON 0.5sec OFF		Temperature limitation
STOP	Alarm LED permanently on	Motor off	For alarms reset: Set 0V ON INPUT (turn the power off and then on again)

DIP SWITCH SETTING

In ducted installations, to allow adjusting the static pressure provided by the fan coil to the pressure drops of the same duct, it is possible to increase the maximum speed in the FCZI_USPAF fan coils. To increase fan speed, modify the settings of the dip switches located on the FCZI_USPAF motor.

Attention!: Follow the settings indicated in the table for each size of FCZI_USPAF.

FCZI2xx	ON	<input type="checkbox"/> 1 <input type="checkbox"/> 2 <input type="checkbox"/> 3 <input type="checkbox"/> 4	STD
	ON	<input type="checkbox"/> 1 <input checked="" type="checkbox"/> 2 <input type="checkbox"/> 3 <input type="checkbox"/> 4	MAX
FCZI3xx	ON	<input type="checkbox"/> 1 <input type="checkbox"/> 2 <input type="checkbox"/> 3 <input type="checkbox"/> 4	STD
	ON	<input type="checkbox"/> 1 <input type="checkbox"/> 2 <input checked="" type="checkbox"/> 3 <input type="checkbox"/> 4	MAX
FCZI4xx	ON	<input type="checkbox"/> 1 <input type="checkbox"/> 2 <input type="checkbox"/> 3 <input type="checkbox"/> 4	STD
	ON	<input type="checkbox"/> 1 <input type="checkbox"/> 2 <input type="checkbox"/> 3 <input checked="" type="checkbox"/> 4	MAX
FCZI5xx	ON	<input type="checkbox"/> 1 <input type="checkbox"/> 2 <input type="checkbox"/> 3 <input type="checkbox"/> 4	STD
	ON	<input type="checkbox"/> 1 <input type="checkbox"/> 2 <input type="checkbox"/> 3 <input checked="" type="checkbox"/> 4	MAX
FCZI7xx FCZI9xx	ON	<input type="checkbox"/> 1 <input type="checkbox"/> 2 <input type="checkbox"/> 3 <input type="checkbox"/> 4	STD
	ON	<input type="checkbox"/> 1 <input type="checkbox"/> 2 <input type="checkbox"/> 3 <input checked="" type="checkbox"/> 4	MAX

Dis. 5214271_00

AVERTISSEMENTS GÉNÉRAUX

MISES EN GARDE SUR LA SÉCURITÉ ET NORMES D'INSTALLATION

Ci-après, les indications essentielles pour effectuer une installation correcte des appareils. Le perfectionnement de toutes les opérations est cependant laissé à l'expérience de l'installateur en fonction des exigences spécifiques.

Ne pas modifier ou altérer les unités, car cela pourrait entraîner des situations de danger. Le fabricant ne sera pas responsable des dégâts provoqués. La validité de la garantie déchoit en cas de non-respect des indications mentionnées dans ce manuel. Avant de commencer tout travail, il est indispensable de LIRE ATTENTIVEMENT LES INSTRUCTIONS ET D'EFFECTUER DES CONTRÔLES DE SÉCURITÉ POUR ÉVITER TOUT DANGER.

L'ensemble du personnel préposé doit être informé sur les opérations et les dangers qui peuvent surgir au moment où commencent toutes les opérations d'installation de l'unité. L'unité doit être installée de manière à permettre un entretien ordinaire (nettoyage du filtre) et extraordinaire aisés.

⚠ ATTENTION : Le dispositif peut être utilisé par des enfants âgés de plus de 8 ans, ainsi que par des personnes aux capacités physiques, sensorielles ou mentales réduites ou manquant d'expérience ou de connaissances, à condition qu'elles soient surveillées ou après avoir reçu des instructions relatives à une utilisation en toute sécurité de l'appareil et à la compréhension des dangers qui sont inhérents à ce dernier. Les enfants ne doivent pas jouer avec l'appareil. Le nettoyage et l'entretien qui doivent être effectués par l'utilisateur, ne doivent pas être effectués par des enfants sans surveillance.

⚠ ATTENTION : le convecteur à ventilation est branché au réseau électrique et au circuit hydraulique ; une intervention effectuée par du personnel dépourvu des compétences techniques spécifiques peut provoquer des dommages à lui-même, à l'appareil et au milieu environnant.

⚠ ATTENTION : L'appareil doit être installé conformément aux règles nationales en matière d'installations.

⚠ ATTENTION : avant d'effectuer toute intervention, s'assurer que l'alimentation électrique soit coupée.

⚠ ATTENTION : Installer un dispositif, interrupteur général ou fiche électrique, qui permette de couper complètement l'alimentation électrique de l'appareil.

⚠ ATTENTION : Pour protéger l'unité contre les courts-circuits, monter un interrupteur omnipolaire magnétothermique sur la ligne d'alimentation. Afin d'éviter tout risque dû au réarmement inopiné du dispositif thermique de coupure, cet appareil ne doit pas être alimenté par un dispositif de commutation externe, comme un minuteur ou être connecté à un circuit qui est régulièrement alimenté ou déconnecté par le service.

⚠ ATTENTION ! DANGER ! Tout usage du dispositif autre de ce qu'expressément indiqué par Aermec est interdit.

⚠ NE PAS TIRER SUR LE CÂBLE ÉLECTRIQUE Il est très dangereux de tirer, de piétiner, d'écraser ou de fixer le câble d'alimentation électrique avec des clous ou des punaises. Le

câble endommagé peut provoquer des courts-circuits et blesser les personnes.

⚠ CÂBLE D'ALIMENTATION ÉLECTRIQUE

Si le câble d'alimentation est endommagé, il doit être remplacé par un neuf ayant une section appropriée. Les réparations doivent être effectuées par un « personnel ayant des compétences techniques spécifiques », afin d'éviter tout danger. Ne pas réparer des câbles abîmés. Pour l'alimentation électrique, utiliser des câbles en bon état ayant une section appropriée à la charge.

⚠ ATTENTION : les branchements électriques, les raccordements hydrauliques, l'installation des convecteurs à ventilation et de leurs accessoires ne doivent être exécutés que par du personnel possédant les qualités requises, techniques et professionnelles, d'habilitation à l'installation, la transformation, l'extension et la maintenance des installations et à même de les vérifier pour ce qui est de la sécurité et du fonctionnement (conformément aux lois en vigueur dans le pays de destination), ils seront également identifiés dans ce manuel comme : technicien autorisé et qualifié, ayant une compétence technique spécifique.

Aermec ne prend aucune responsabilité pour les dommages provoqués par le non-respect de ces instructions.

Avant l'installation de l'unité, contrôler qu'elle n'ait pas subi de dommages pendant le transport :

l'utilisation de l'unité endommagée pourrait s'avérer dangereuse ;

le plan d'appui doit être en mesure de soutenir le poids de l'unité.

Remarque :

Pour toute référence future et communication avec AERMEC S.p.A. indiquer le numéro de série.

CONTRÔLES À LA RÉCEPTION

- Lors de la réception de l'unité, effectuer un premier contrôle visuel pour vérifier :
- la bonne correspondance de la commande avec ce qui est reporté dans les documents de transport ;
- le bon état de l'emballage ;
- le bon état de l'unité ;
- la présence de tous les composants.
- En cas de dommages ou d'absence de composants, il est obligatoire de les indiquer sur les documents de transport.

MANUTENTION

- **⚠ ATTENTION !** Pendant les phases de manutention, se munir des équipements de protection individuelle appropriés (EPI)
- Avant l'installation et l'utilisation, retirer complètement l'emballage de l'unité de base et de tous les composants fournis.

DESCRIPTION DU PRODUIT

- Ventilateur centrifuge à trois vitesses.
- Moteurs électriques avec condensateurs activés en permanence.
- Perte de charge réduites dans les batteries d'échange thermique.
- Installation et entretien faciles.
- Filtre à air facile à extraire et nettoyer, structure autoportante, caractérisé par un rendement élevé et de faibles pertes de charge.

- Vis sans fin extractibles pour un nettoyage facile et efficace.
- **Branchements d'eau réversibilité lors de l'installation uniquement pour les unités avec la batterie principale, standard ou Surdimensionnée** (non réversible pour les unités avec batterie secondaire).
- Version gainable sans meuble

**AVERTISSEMENT**

Toutes les informations concernant les schémas de câblage, l'installation et l'utilisation d'accessoires et de thermostats compatibles sont contenues dans les instructions fournies avec l'accessoire choisi.

Pour plus d'informations contacter Aermec.

ATTENTION

En cas d'échec de consulter les alarmes de codage Table pour interpréter les deux indicateurs menés (alarme / Power) qui indiquent l'état de l'appareil. La carte de l'onduleur est situé à l'intérieur de l'appareil.

DANGER! Seul le personnel d'entretien qualifiés peuvent y accéder.

INFORMATIONS IMPORTANTES SUR LA MAINTENANCE

Le ventilo-convecteur est connecté au réseau électrique et au circuit hydraulique: l'intervention d'un personnel sans compétence technique spécifique peut entraîner des blessures pour l'opérateur ou endommager l'appareil ou le milieu intéressé.

ALIMENTATION DU VENTILO-CONVECTEUR EN MONOPHASE 220V

Si l'on utilise des alimentations électriques différentes, le ventilo-convecteur peut être irrémédiablement endommagé.

NE PAS UTILISER LE VENTILO-CONVECTEUR DE MANIERE IMPROPRE.

Le ventilo-convecteur ne doit pas être utilisé pour l'élevage, la naissance ou la croissance d'animaux.

VENTILER LE LOCAL

Nous conseillons de ventiler périodiquement le local où est installé le ventilo-convecteur, plus spécialement si plusieurs personnes résident dans le local ou si des appareillages à gaz ou des sources d'odeurs se trouvent dans le local.

REGLER CORRECTEMENT LA TEMPERATURE

La température ambiante doit être réglée de manière à permettre le bien-être maximal des personnes présentes, en particulier s'il s'agit de personnes âgées, d'enfants ou de personnes malades, en évitant des écarts de température -entre l'intérieur et l'extérieur- supérieurs à 7 °C- 44,6 °F en été. En été une température trop basse entraîne une consommation d'électricité plus importante.

ORIENTER CORRECTEMENT LE JET D'AIR

L'air qui sort du ventilo-convecteur ne doit pas frapper directement les personnes ; en effet, même si ce jet est à une température supérieure à celle du local, il peut provoquer une sensation de froid et donc de malaise.

NE PAS UTILISER DE L'EAU TROP CHAUDE

Pour nettoyer l'intérieur de l'Unité utiliser des chiffons ou des éponges souples et mouillés avec de l'eau dont la température maximale ne dépasse pas 40°C-104°F. N'utiliser aucun produit chimique ou solvant pour nettoyer une partie quelconque du ventilo-convecteur. Ne pas asperger avec de l'eau les surfaces externes ou internes du ventilo-convecteur (on pourrait provoquer des courts-circuits).

NETTOYER LE FILTRE PERIODIQUEMENT

Un nettoyage fréquent du filtre garantit une meilleure efficacité de fonctionnement.

Contrôler si le filtre est sale: répéter l'opération plus souvent si nécessaire.

Nettoyez fréquemment, enlevez la poussière qui s'accumule avec un aspirateur.

Le remonter sur le ventilo-convecteur en adoptant la procédure inverse de celle du démontage.

NETTOYAGE EXTRAORDINAIRE

La possibilité d'enlever les vis sans fin des ventilateurs qui peuvent être inspectés (une opération qui doit être réalisée uniquement par un personnel doté d'une expérience technique) permettent d'effectuer un nettoyage soigné des organes internes également, une condition nécessaire pour une mise en place dans des locaux très fréquentés ou qui exigent un standard d'hygiène élevé

(chapitre "dessins - figure 1").

DURANT LE FONCTIONNEMENT:

Laisser toujours le filtre monté sur le ventilo-convecteur durant le fonctionnement : la poussière qui se trouve dans l'air pourrait, dans le cas contraire, salir les surfaces de la batterie.

IL EST NORMAL

Durant la fonction de refroidissement, de la vapeur d'eau peut sortir du refoulement du ventilo-convecteur.

Durant le fonctionnement en chauffage on peut entendre un léger sifflement d'air près du ventilo-convecteur. Parfois le ventilo-convecteur peut émettre des odeurs désagréables dues à l'accumulation de substances présentes dans l'air environnant (si la pièce n'est pas souvent aérée, nettoyer le filtre plus souvent).

Durant le fonctionnement on peut entendre des bruits et des craquements internes dus aux différentes dilatations thermiques des éléments (en plastique ou en métal), cela n'indique pas un dysfonctionnement et ni ne provoque aucun dommage à l'unité si l'on ne dépasse pas la température maximale de l'eau en entrée.

ATTENTION

Éviter que des enfants ou des personnes incapables utilisent l'appareil sans une surveillance opportune ; en outre, il est rappelé que les enfants ne doivent pas utiliser l'appareil comme un jouet.

INFORMATIONS IMPORTANTES SUR LA MAINTENANCE

Le ventilo-convecteur est connecté au réseau électrique et au circuit hydraulique: l'intervention d'un personnel sans compétence technique spécifique peut entraîner des blessures pour l'opérateur ou endommager l'appareil ou le milieu intéressé.

ALIMENTER LE VENTIL-CONVECTEUR EXCLUSIVEMENT AVEC UNE TENSION DE 220V MONOPHASE

Si l'on utilise des alimentations électriques différentes, le ventilo-convecteur peut être irrémédiablement endommagé.

NE PAS UTILISER LE VENTIL-CONVECTEUR DE MANIERE IMPROPRE.

Le ventilo-convecteur ne doit pas être utilisé pour l'élevage, la naissance ou la croissance d'animaux.

VENTILER LE LOCAL

Nous conseillons de ventiler périodiquement le local où est installé le ventilo-convecteur, plus spécialement si plusieurs personnes résident dans le local ou si des appareils à gaz ou des sources d'odeurs se trouvent dans le local.

REGLER CORRECTEMENT LA TEMPERATURE

La température ambiante doit être réglée de manière à permettre le bien-être maximal des personnes présentes, en particulier s'il s'agit de personnes âgées, d'enfants ou de personnes malades, en évitant des écarts de température -entre l'intérieur et l'extérieur- supérieurs à 44,6 °F en été. En été une température trop basse entraîne une consommation d'électricité plus importante.

ORIENTER CORRECTEMENT LE JET D'AIR

L'air qui sort du ventilo-convecteur ne doit pas frapper directement les personnes ; en effet, même si ce jet est à une température supérieure à celle du local, il peut provoquer une sensation de froid et donc de malaise.

NE PAS UTILISER DE L'EAU TROP CHAUDE

Pour nettoyer l'intérieur de l'Unité utiliser des chiffons ou des éponges souples et mouillés avec de l'eau dont la température maximale ne dépasse pas 40°C-104°F. N'utiliser aucun produit chimique ou solvant pour nettoyer une partie quelconque du ventilo-convecteur. Ne pas asperger avec de l'eau les surfaces externes ou internes du ventilo-convecteur (on pourrait provoquer des courts-circuits).

NETTOYER LE FILTRE PERIODIQUEMENT

Un nettoyage fréquent du filtre garantit une meilleure efficacité de fonctionnement. Contrôler si le filtre est sale: répéter l'opéra-

tion plus souvent si nécessaire. Nettoyez fréquemment, enlevez la poussière qui s'accumule avec un aspirateur. Le remonter sur le ventilo-convecteur en adoptant la procédure inverse de celle du démontage.

NETTOYAGE EXTRAORDINAIRE

La possibilité d'enlever les vis sans fin des ventilateurs qui peuvent être inspectés (une opération qui doit être réalisée uniquement par un personnel doté d'une expérience technique) (Voir l' Fig.6 la page 34) permettent d'effectuer un nettoyage soigné des organes internes également, une condition nécessaire pour une mise en place dans des locaux très fréquentés ou qui exigent un standard d'hygiène élevé.

DURANT LE FONCTIONNEMENT:

Laisser toujours le filtre monté sur le ventilo-convecteur durant le fonctionnement : la poussière qui se trouve dans l'air pourrait, dans le cas contraire, salir les surfaces de la batterie.

IL EST NORMAL

Durant la fonction de refroidissement, de la vapeur d'eau peut sortir du refoulement du ventilo-convecteur.

Durant le fonctionnement en chauffage on peut entendre un léger sifflement d'air près du ventilo-convecteur. Parfois le ventilo-convecteur peut émettre des odeurs désagréables dues à l'accumulation de substances présentes dans l'air environnant (si la pièce n'est pas souvent aérée, nettoyer le filtre plus souvent).

Durant le fonctionnement on peut entendre des bruits et des craquements internes dus aux différentes dilatations thermiques des éléments (en plastique ou en métal), cela n'indique pas un dysfonctionnement et ne provoque aucun dommage à l'unité si l'on ne dépasse pas la température maximale de l'eau en entrée.

ATTENTION

Éviter que des enfants ou des personnes incapables utilisent l'appareil sans une surveillance opportune ; en outre, il est rappelé que les enfants ne doivent pas utiliser l'appareil comme un jouet.

ATTENTION

En cas d'installation sur des lieux très poussiéreux, éliminer la poussière accumulée dans les pinces métalliques insérées dans les guides filtre avec un aspirateur ; effectuer un examen visuel pour vérifier le contact entre les pinces et le filtre.

Toute anomalie doit être communiquée au Service Assistance (Voir section "Dessins" Figure 1 ").

ATTENTION

Extraire la sonde ambiante, en prêtant attention afin de ne pas arracher le câble relié au bornier. Remonter la sonde et raccorder le câble sur la même position (Voir section "Dessins" Figure 2 ").

EMBALLAGE

Les convecteurs soufflants sont expédiés dans un emballage standard composé de coques en polystyrène expansé et en carton.

INSTALLATION DE L'UNITÉ

ATTENTION !: avant d'effectuer une intervention quelconque s'assurer que l'alimentation électrique est bien désactivée.

ATTENTION: les raccordements électriques, l'installation des ventilosconvecteurs et de leurs accessoires ne doivent être exécutés que par des personnes en possession de la qualification technico-professionnelle requise pour l'habilitation à l'installation, la transformation, le développement et l'entretien des installations, et en mesure de vérifier ces dernières aux fins de la sécurité et de la fonctionnalité.

Le ventilosconvecteur doit être installé dans une position permettant d'effectuer aisément la maintenance ordinaire (nettoyage du filtre) et extraordinaire et d'accéder à la soupape d'évent de l'air sur le côté du châssis (côté raccords).

Pour installer l'unité, procéder comme suit:

- En cas d'installation au sol au moyen des pieds, faire référence aux instructions accompagnant l'accessoire.

- Pour la fixation au mur ou sur plafond, utiliser des chevilles à expansion, non livrées (**chapitre "dessins - fig. 2 / fig.3"**).

Pour les versions suspendues, si on utilise l'accessoire supports (AMPZ), procéder comme suit:

- monter les 4 supports (**chapitre "dessins - figure 4"**) sur les côtés de l'appareil en introduisant la languette supérieure dans la fente prévue à cet effet et en fixant la partie inférieure au châssis à l'aide des vis fournies de série;

- fixer les brides sur le plafond à l'aide de chevilles à expansion (non livrées); pour les positions relatives entre brides et châssis, voir les dimensions.

- Effectuer les raccordements hydrauliques (**chapitre "dessins - figure 5"**).

Pour un serrage correct des raccords hydrauliques lors de l'installation, il est nécessaire d'utiliser 10 tours de téflon et un couple maximal de 14 Nm (**chapitre "dessins - figure 5"**)

La position et le diamètre des raccords hydrauliques sont indiqués dans les dimensions.

Il est conseillé d'isoler correctement les tuyauteries de l'eau ou d'installer le bac auxiliaire de récupération de la condensation, disponible comme accessoire, pour éviter les égouttements durant le fonctionnement en refroidissement.

En cas d'installation horizontale, monter le raccord d'écoulement des condensats fourni avec l'appareil. Il faudra avoir soin de sceller avec du silicone le raccordement entre le bac et le raccord (**chapitre "dessins - figure 5"**) Le réseau d'évacuation de la condensation doit être convenablement dimensionné et les tuyauteries positionnées de façon à maintenir une pente correcte (min. 1%) le long du parcours. En cas d'évacuation dans les égouts, il est conseillé de réaliser un siphon empêchant les mauvaises odeurs de remonter dans les locaux.

- Effectuer les raccordements électriques comme indiqué sur les schémas électriques.

- Remonter la sonde de température ambiante (s'il est présent).

- ATTENTION : Tenir à l'écart les connexions électriques des raccordements d'hydrauliques. Les raccords hydrauliques et de vidange des condensant doivent être sur le côté opposé au côté des connexions électriques.

RACCORDEMENTS ÉLECTRIQUES

ATTENTION: avant d'effectuer une quelconque intervention, s'assurer que l'alimentation électrique est coupée.

ATTENTION: les raccordements électriques, l'installation des ventilosconvecteurs et de leurs accessoires ne doivent être exécutés que par du personnel spécialisé.

CARACTERISTIQUES DES CABLES DE RACCORDEMENT

Utiliser des câbles du type H05V-K ou N07V-K avec isolation 300/500 V en une conduite ou une goulotte.

Tous les câbles doivent être insérés dans des conduites ou goulottes tant qu'ils se trouvent à l'intérieur du ventilosconvecteur.

A la sortie de la conduite ou de la goulotte, les câbles doivent être positionnés de façon à ne subir aucune sollicitation telles que tractions ou torsions et de toutes façons ils doivent être protégés des agents atmosphériques.

Les câbles tressés doivent être seulement utilisés pour des terminaux avec douilles. Il faut s'assurer que chaque fil de la tresse soit correctement inséré dans la douille.

Nos schémas électriques étant constamment mis à jour, il faut absolument se référer à ceux fournis à bord de nos appareils.

Pour protéger l'unité contre les courts-circuits, montez sur la ligne d'alimentation un interrupteur omnipolaire magnétothermique 2A 250V (IG) avec une distance minimum d'ouverture des contacts de 3 mm - 0,11 in .

Nous vous recommandons d'utiliser des dispositifs différentiels capables d'intervenir à des flux de différents types:

 alternatif sinusoïdal et pulsatoire unidirectionnel appliqués soudainement ou progressivement

 alternatif sinusoïdal fréquemment jusqu'à 1000 Hz.

Le lieu de montage doit être choisi d'une façon que la limite de température ambiante max. et min. soit respectée 0÷45°C/ 0÷113°F (<85% U.R.).

Le panneau de commande ne peut pas être monté sur une paroi métallique, à moins que cette dernière ne soit raccordée de façon permanente à la prise de terre.

Les panneaux de commande se composent uniquement de circuits électriques raccordés à la tension de réseau de 220V; toutes les entrées pour les sondes et les commandes doivent donc être isolées par rapport à cette tension.

Certains panneaux de commande sont équipés de sonde de la température ambiante et/ou de sonde de la température de l'eau, il est en outre possible de connecter une boîte à bornes interne (EX), un contact externe qui permet le contrôle à distance du ventilosconvecteur, consulter le tableau récapitulatif et les manuels de chaque panneau pour sélectionner le modèle le plus approprié.

La sonde de température minimale de l'eau permet d'arrêter automatiquement la ventilation, au cas où la température de l'eau descendrait au-dessous de 39°C - 102,2°F à l'entrée de la batterie.

Si le système est équipé d'une vanne à trois voies, la sonde de température minimale de l'eau doit être déplacée de son logement dans la batterie au tuyau de refoulement situé en amont de la vanne.

L'éventuel déplacement de la sonde de l'eau implique le besoin de la remplacer par une sonde SW3 (accessoire) munie d'un câble d'une longueur appropriée.

ATTENTION: la sonde possède une double isolation parce qu'elle est soumise à une tension de 220Vca.

Les thermostats électroniques multifonctions sont fournis prêts à fonctionner en configuration standard. Toutefois, ils permettent à l'installateur de les adapter aux conditions spécifiques de l'installation en agissant sur les commutateurs dip internes.

Les fonctions personnalisables peuvent varier de modèle en modèle. Il est donc conseillé de consulter les manuels relatifs.

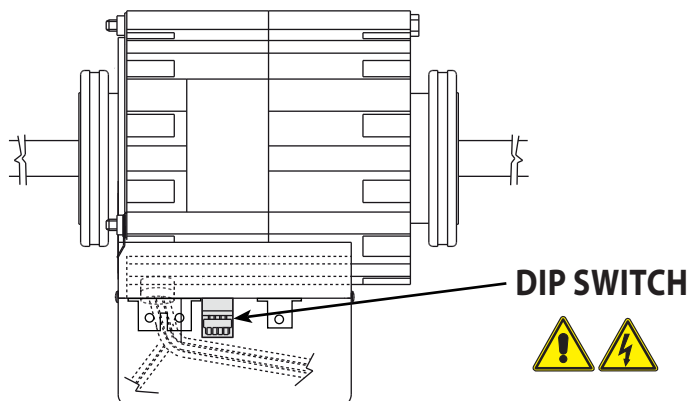
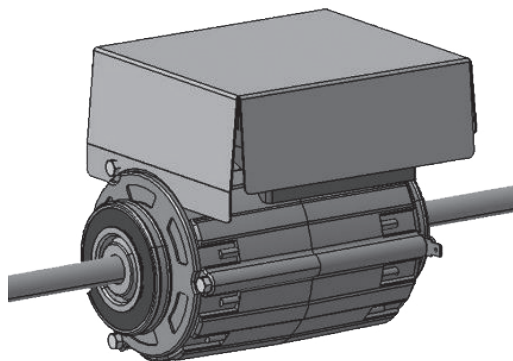
En usine, les raccordements sont effectués comme le montre (**chapitre "dessins - figure 7"**).

ATTENTION: contrôler si l'installation a été effectuée de manière correcte. SUIVRE TOUTES LES PROCEDURES DE CONTROLE INDIQUEES DANS LES MANUELS DES PANNEAUX DE COMMANDE.

ENCODAGE DES ALARMES

ATTENTION !: Cette section est réservée uniquement aux services après-vente. La platine est placée à l'intérieur de l'unité et il n'est pas nécessaire de la démonter. DANGER ! Uniquement le personnel qualifié pour l'entretien peut y accéder. Deux DEL (Alarm/Power) qui

signalent l'état de fonctionnement de l'unité sont présentes sur la platine inverter. Le tableau suivant indique la manière pour décoder les messages.



TYPE D'ALARME	INDICATIONS	ANOMALIE	REMARQUES
Haute température	La DEL ALARM clignote.	Moteur éteint	Alarme de redémarrage automatique Après 1,5 min, si les conditions persistent, l'alarme est permanente, la DEL ALARM reste allumée et le système s'éteint.
Surtension	3 s ON 0,5 s OFF		
Sous-tension	Après 1,5 min, la DEL est allumée de façon permanente.		
Surintensité	Après 1,5 min, la DEL est allumée de façon permanente.	Réduction de la vitesse	Limitation de la puissance Limitation de la température
Surcharge	La DEL ALARM clignote.	Moteur éteint	Pour le réarmement des alarmes : Set 0V ON INPUT (couper la tension et rallumer)
Contrôle de sécurité	0,5 s ON 0,5 s OFF		
STOP	DEL ALARM allumée de façon permanente		

CONFIGURATIONS DU COMMUTATEUR DIP

Dans les installations avec des canaux, adapter la hauteur manométrique fournie par le ventilateur aux pertes de charge du canal, dans les ventilo-convecteurs de la série FCZI_220USPAF on peut augmenter la vitesse maximale. Pour augmenter la vitesse de ventilation, modifier les configurations des commutateurs dip placés sur le moteur des FCZI_220USPAF.

Attention !: S'en tenir aux configurations indiquées sur le tableau pour chaque taille de FCZI_220USPAF.

FCZI2xx	ON	1	2	3	4	STD
	ON	1	2	3	4	MAX
FCZI3xx	ON	1	2	3	4	STD
	ON	1	2	3	4	MAX
FCZI4xx	ON	1	2	3	4	STD
	ON	1	2	3	4	MAX
FCZI5xx	ON	1	2	3	4	STD
	ON	1	2	3	4	MAX
FCZI7xx FCZI9xx	ON	1	2	3	4	STD
	ON	1	2	3	4	MAX

Dis. 5214271_00

DISPOSITIFS DE CONTRÔLE (NON COMPRIS)

Utiliser un dispositif de contrôle avec thermostat et contrôle des vitesses de ventilation avec sorties 0-10V et des caractéristiques compatibles avec l'unité.

Pour l'installation consulter les manuels de l'unité et de l'accessoire.

OPERATING LIMITS - LIMITES DE FONCTIONNEMENT

			200	300	400	500	600	700	900
EN	Maximum water inlet temperature (Tw)	°F	176						
FR	Température maximale entrée eau (Tw)								
EN	Maximum water inlet temperature recommended (Tw)	°F	149						
FR	Température maximale entrée eau conseillée (Tw)								
EN	Standard operating pressure	psi	115						
FR	Pression standard d'exercice								
EN	Environment temperature limits (Ta)*	°F	41° < Ta < 45°						
FR	Limites de température ambiante (Ta)*								
EN	Relative humidity limits in the environment (U.R.)		U.R. < 85%						
FR	Limites d'humidité relative dans l'environnement (U.R.)								
EN	Electric power supply		220 V 60 Hz						
FR	Alimentation électrique								
FCZ			200	300	400	500	600	700	900
EN	Minimum water flow rate (Qw)	gpm	0.44	0.44	0.66	0.66	1.32	1.32	1.32
FR	Débit minimal d'eau (Qw)								
EN	Maximum water flow rate (Qw)	gpm	3.3	3.3	4.84	4.84	9.68	9.68	9.68
FR	Débit maximal d'eau (Qw)								
FCZ			250	350	450	550	650	750	950
EN	Minimum water flow rate (Qw)	gpm	0.66	0.66	0.66	0.66	1.32	1.32	1.32
FR	Débit minimal d'eau (Qw)								
EN	Maximum water flow rate (Qw)	gpm	4.84	4.84	4.84	4.84	9.68	9.68	9.68
FR	Débit maximal d'eau (Qw)								
FCZ			201	301	401	501	601	701	901
EN	Minimum water flow rate (Qw)	gpm	0.22	0.22	0.22	0.22	0.44	0.44	0.44
FR	Débit minimal d'eau (Qw)								
EN	Maximum water flow rate (Qw)	gpm	1.76	1.76	1.76	1.76	3.96	3.96	3.96
FR	Débit maximal d'eau (Qw)								

*For lower temperatures please contact headquarters.
 *Pour des températures plus basses s'il vous plaît contacter le siège.

MINIMUM AVERAGE WATER TEMPERATURE - TEMPÉRATURE MINIMALE MOYENNE DE L'EAU

Ta b.s.	°F		70	73	77	80	84	88
Ta b.u.	°F	59	37.4	37.4	37.4	37.4	37.4	37.4
		62.6	37.4	37.4	37.4	37.4	37.4	37.4
		66.2	37.4	37.4	37.4	37.4	37.4	37.4
		69.8	48.2	41	39.2	37.4	37.4	37.4
		73.4	-	46.4	44.6	42.8	41	41
Tw °F								

Ta b.s.
 Dry-bulb temperature of ambient air -
 Température de bulbe sec de l'air ambiant

Ta b.u.
 Wet-bulb temperature of ambient air -
 Température de bulbe humide de l'air ambiant

Tw °F
 Minimum average water temperature -
 Température minimale moyenne de l'eau

EN - WATER TEMPERATURE

In order to prevent air stratification in the environment and thus, have better mixing, the fan coil should not be supplied with water that is hotter than 149°F. Using water at a very high temperature can cause creaking due to the heat expansion of the elements (plastic and metal). However, this does not cause damage to the unit unless the maximum operating temperature is exceeded.

MINIMUM AVERAGE WATER TEMPERATURE

If the fan coil runs continuously in cooling mode in an environment with high relative humidity, condensate may form on the air flow. This condensate could drip onto the floor and onto any underlying objects. To prevent condensation phenomena on the external structure of the appliance with the fan running, the average water temperature must not drop below the limits indicated in the table. These limits depend on the temperature and humidity conditions of the room air. These limits refer to operation with the fan running at minimum speed.

Condensation may form in the event the fan is off for a prolonged period and cold water flows in the coil; therefore, we recommend installing the 3-way valve (accessory).

FR - TEMPÉRATURE DE L'EAU

Afin d'éviter les stratifications de l'air dans l'espace et par conséquent, pour obtenir une meilleure circulation de l'air, il est conseillé de ne pas alimenter le ventilateur avec de l'eau à une température supérieure à 149°F. L'utilisation d'eau à haute température pourrait provoquer des craquements dus aux diverses dilatations thermiques des éléments (plastiques et métalliques) ; ceci n'endommage pas pour autant l'unité si la température maximale d'exercice n'est pas dépassée.

TEMPÉRATURE MINIMUM MOYENNE DE L'EAU

Si le convecteur à ventilation fonctionne de manière continue en mode refroidissement dans un milieu caractérisé par une humidité relative élevée, de la condensation peut se former sur le refoulement de l'air. Cette condensation peut se déposer sur le sol et sur les objets éventuellement situés en dessous. Pour éviter la condensation sur l'extérieur du convecteur à ventilation lorsque l'appareil est en marche, la température moyenne de l'eau ne doit pas être inférieure aux limites indiquées dans le tableau ci-dessous, qui dépendent des conditions thermiques et hygrométriques de l'air ambiant. Ces limites font référence au fonctionnement du convecteur à ventilation à la vitesse minimale.

Si le ventilateur est éteint pendant une longue période et que de l'eau froide passe dans la batterie, de la condensation peut se former à l'extérieur de l'appareil, il est donc conseillé d'installer l'accessoire vanne à trois voies.

EN - WARNINGS FOR THE QUALITY OF THE WATER CIRCULATING IN THE COILS

It is recommended to perform an analysis of the water circulating in the coil focusing on the research of the possible presence of bacteria (detection of iron bacteria and micro-organisms that can produce H₂S or chemically reduce sulphates) and on the chemical composition of the water, to prevent corrosion and fouling inside the tubes.

The water circuit must be supplied and replenished with treated water that does not exceed the threshold levels indicated (**see Table**).

	EN	FR	
mmol/l	Total hardness	Dureté totale	6.9 < x < 10.4 °e
CL ⁻	Chlorides	Chlorures	x < 10 ppm
SO ₄ ²⁻	Sulphates	Sulfates	x < 30 ppm
NO ₃ ⁻	Nitrates	Nitrates	x = 0 ppm
	Dissolved iron	Fer dissous	x < 0.5 ppm
	Dissolved oxygen	Oxygène dissous	4 < x < 9 ppm
CO ₂	Carbon dioxide	Anhydre carbonique	x < 30 ppm
	Resistivity	Resistivité	0.5 < x < 1.3 Ω in
	pH	pH	6.9 < x < 8

UK - OPERATING ENVIRONMENT

The units are designed for installation in closed environments in conditions of 'urban', non-marine atmosphere with non-corrosive and non-dusty characteristics.

Under no circumstances the concentrations of pollutants in the air, in which the unit must operate, shall be exceeded (**see Table**).

The unit should not be installed in locations characterized by the presence of flammable gases or acidic or alkaline substances.

Otherwise the coils and the internal components of the equipment could suffer serious and irreparable damage from corrosion.

FR - AVERTISSEMENTS POUR LA QUALITÉ DE L'EAU QUI CIRCULE DANS LES BATTERIES

Il est recommandé de faire réaliser une analyse de l'eau qui circule dans la batterie destinée à détecter la présence éventuelle de bactéries (détection des ferrobactéries et des microorganismes qui peuvent produire H₂S ou réduire chimiquement les sulfates) et à déterminer la composition chimique de l'eau de façon à prévenir des phénomènes de corrosion et d'incrustation à l'intérieur des tubes.

Le circuit de l'eau doit être alimenté et rempli avec de l'eau traitée qui ne dépasse pas les seuils indiqués ci-dessous (**voir tableau**).

FR - ENVIRONNEMENT DE FONCTIONNEMENT

Les unités ont été conçues pour être installées dans des locaux fermés possédant les conditions d'une atmosphère « urbaine » et non pas littorale, sans être corrosifs ni poussiéreux.

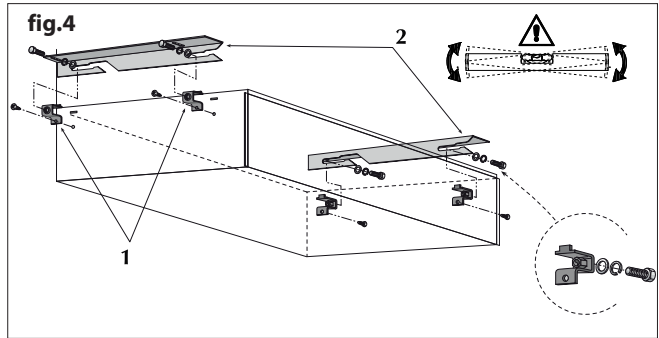
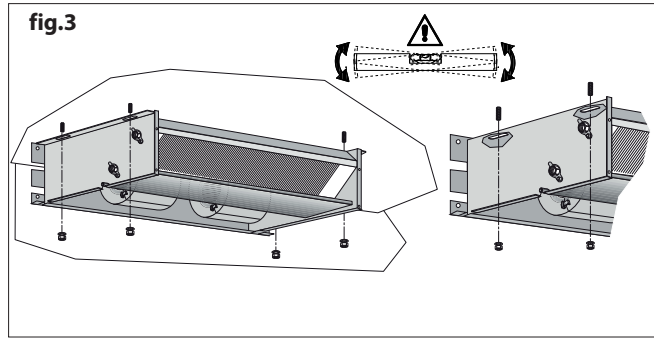
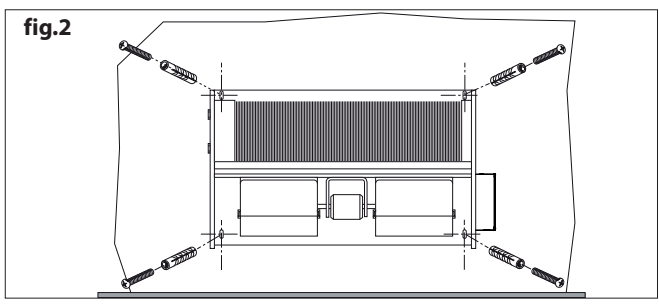
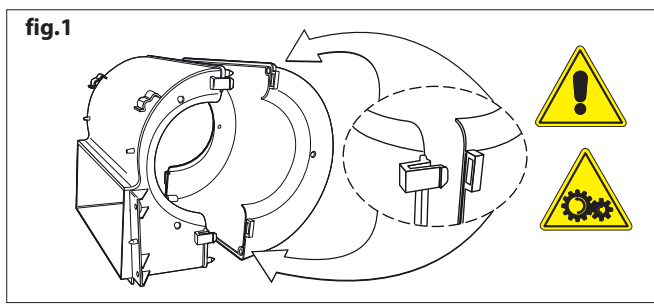
Les concentrations suivantes des facteurs polluants ne doivent jamais être dépassées dans l'air où l'unité doit fonctionner (**voir tableau**).

L'unité ne doit pas être installée dans des locaux caractérisés par la présence de gaz inflammables ou de substances acides ou alcalines.

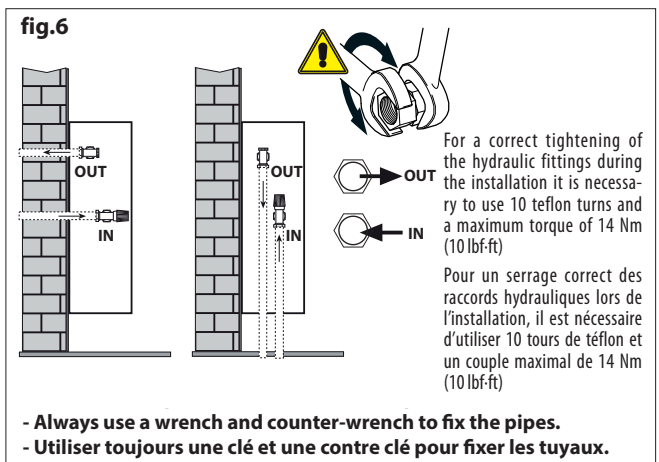
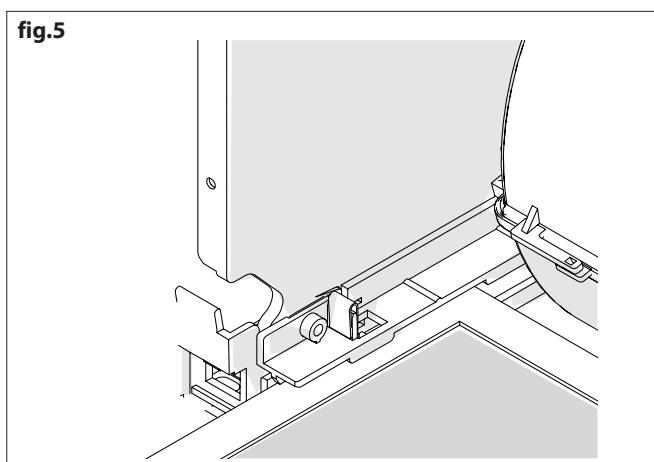
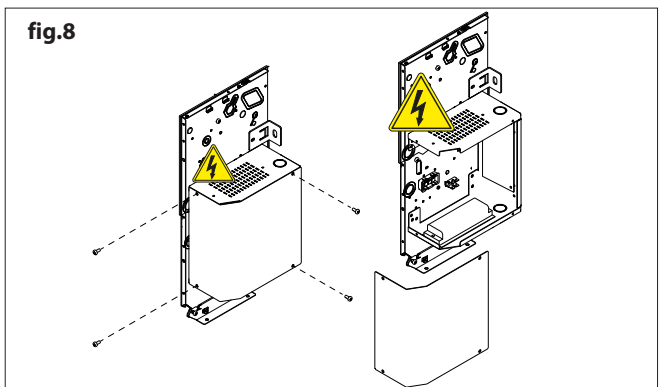
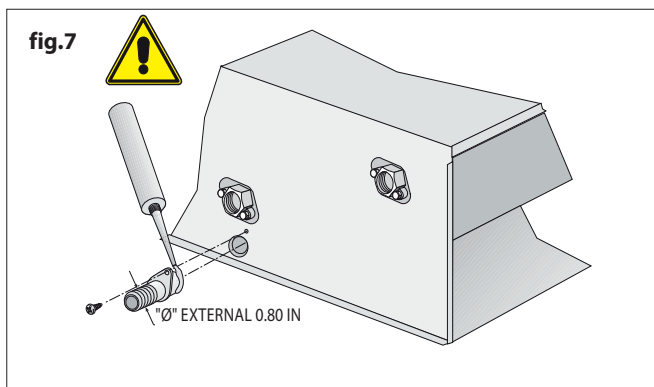
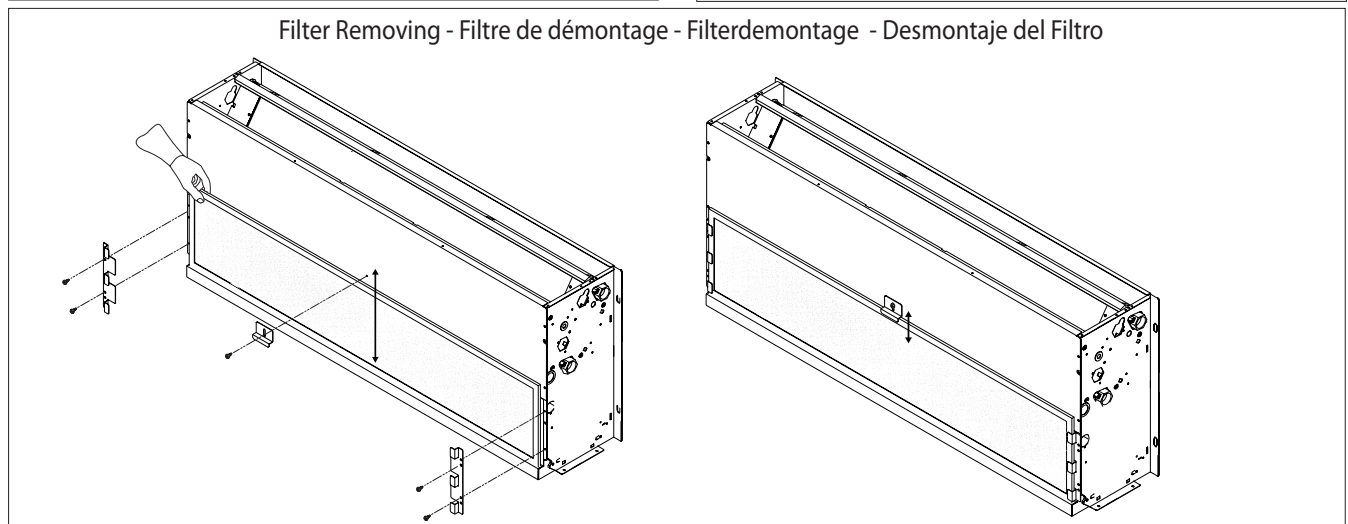
Dans le cas contraire, les batteries et les composants internes des appareils pourraient subir des dommages graves et irréparables de corrosion.

SO ₂	<0,02 ppm
H ₂ S	<0,02 ppm
NO,NO ₂	<1 ppm
NH ₃	<6 ppm
N ₂ O	<0,25 ppm

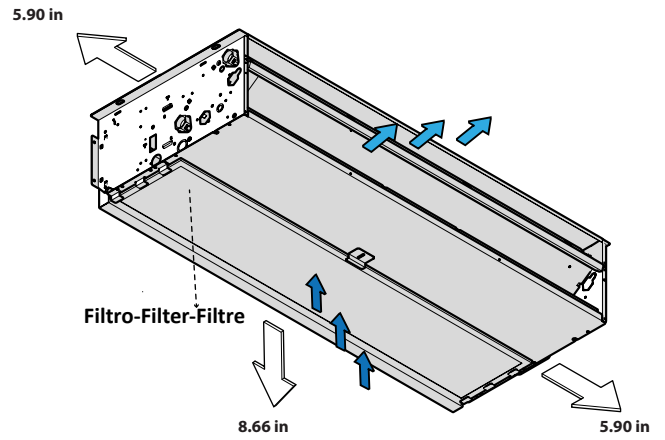
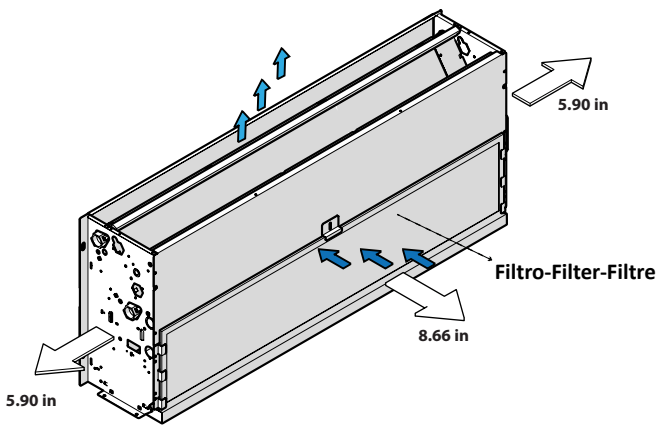
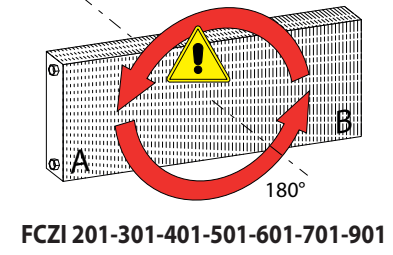
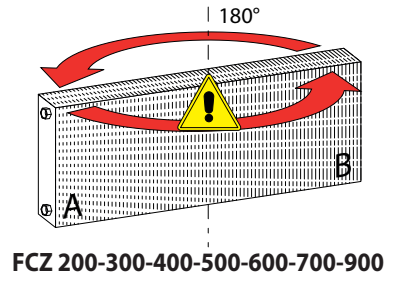
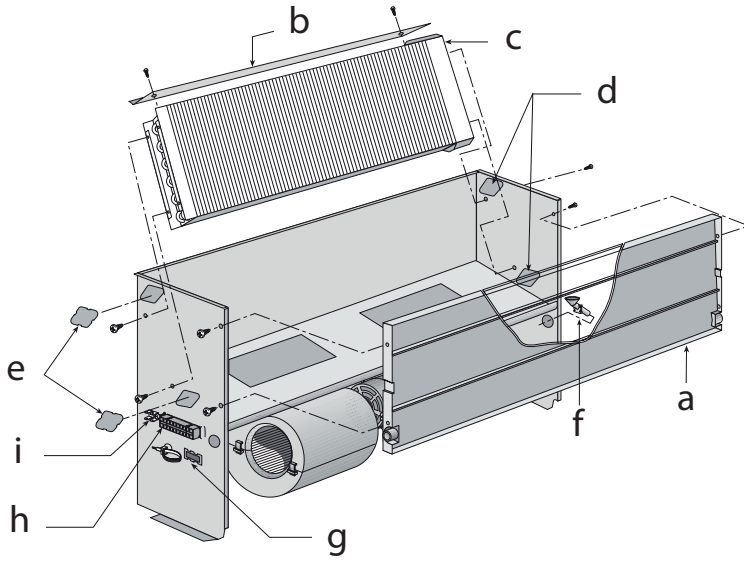
DRAWINGS - DESSINS



Filter Removing - Filtre de démontage - Filterdemontage - Desmontaje del Filtro

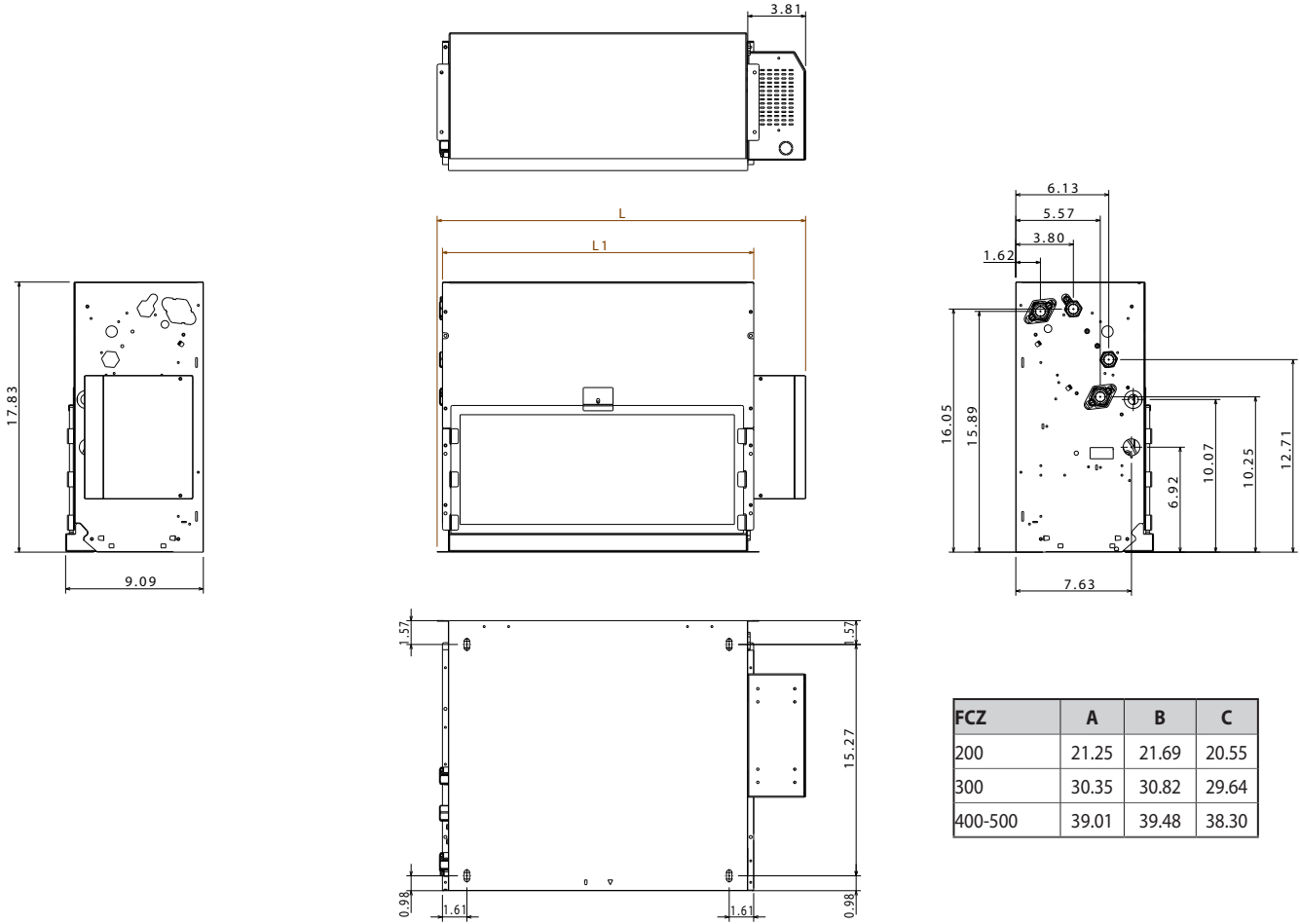


ROTATING THE COIL - ROTATION DE LA BATTERIE

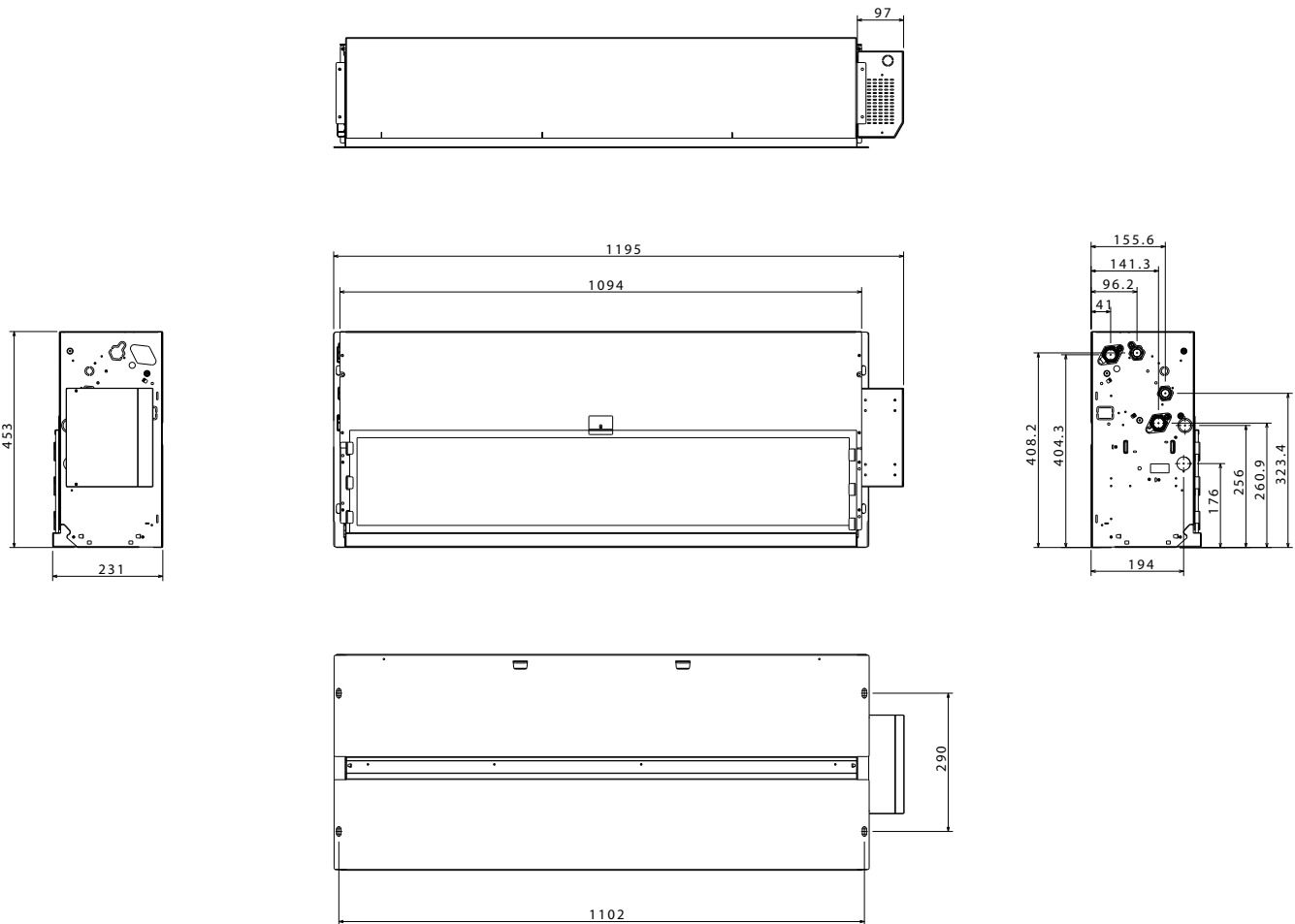


DIMENSIONS • DIMENSIONS • ABMESSUNGEN • DIMENSIONES [INCH]

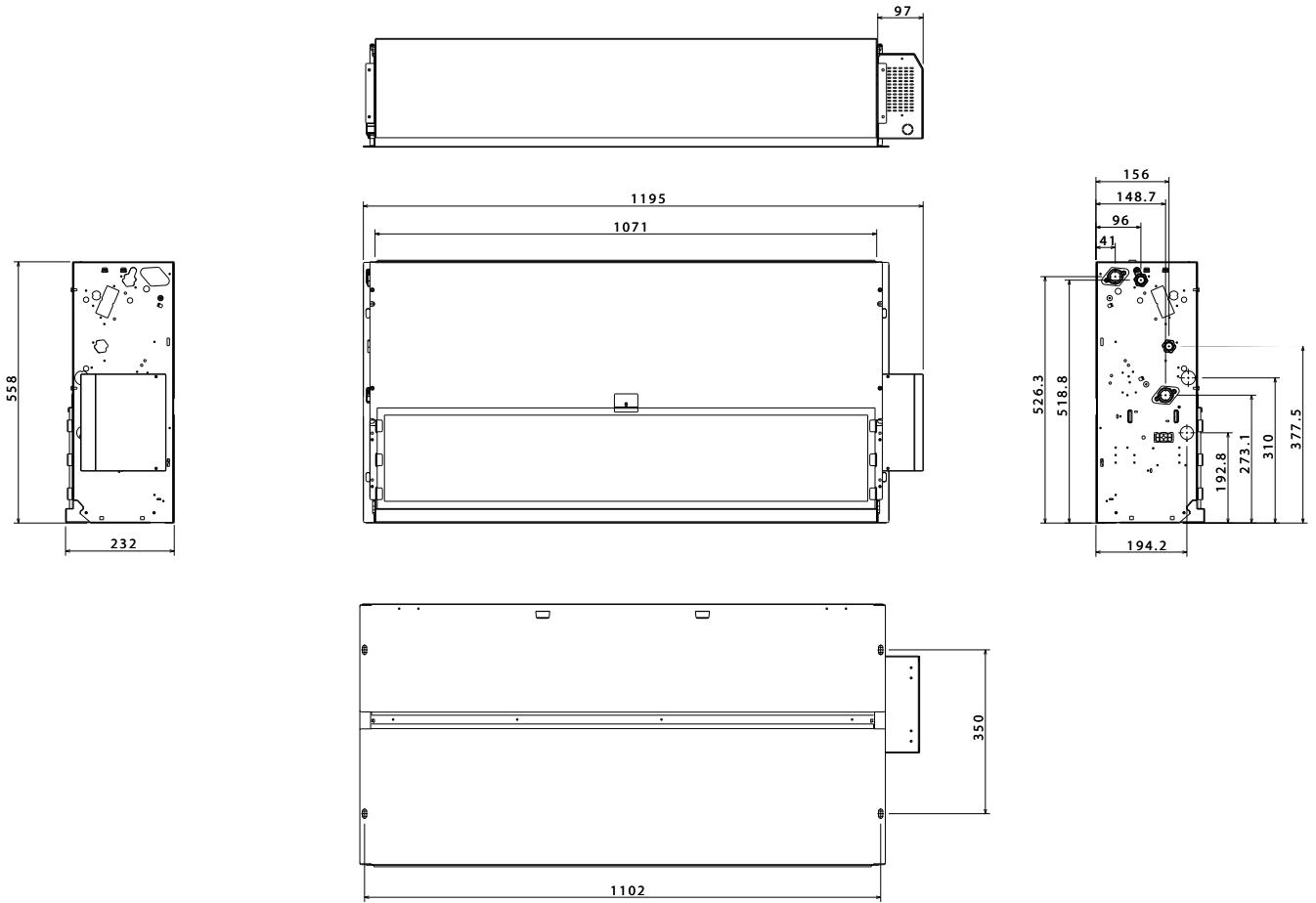
FCZ 2XX - 3XX - 4XX - 5XX USPAF



FCZ 7XX USPAF



FCZ 9XX USPAF





FCZI PAF		200	300	400	500	700	900
		250	350	450	550	750	950
		201	301	401	501	701	901
Weight - Poids	Lbs	6,35	8,61	10,43	10,43	14,06	14,06

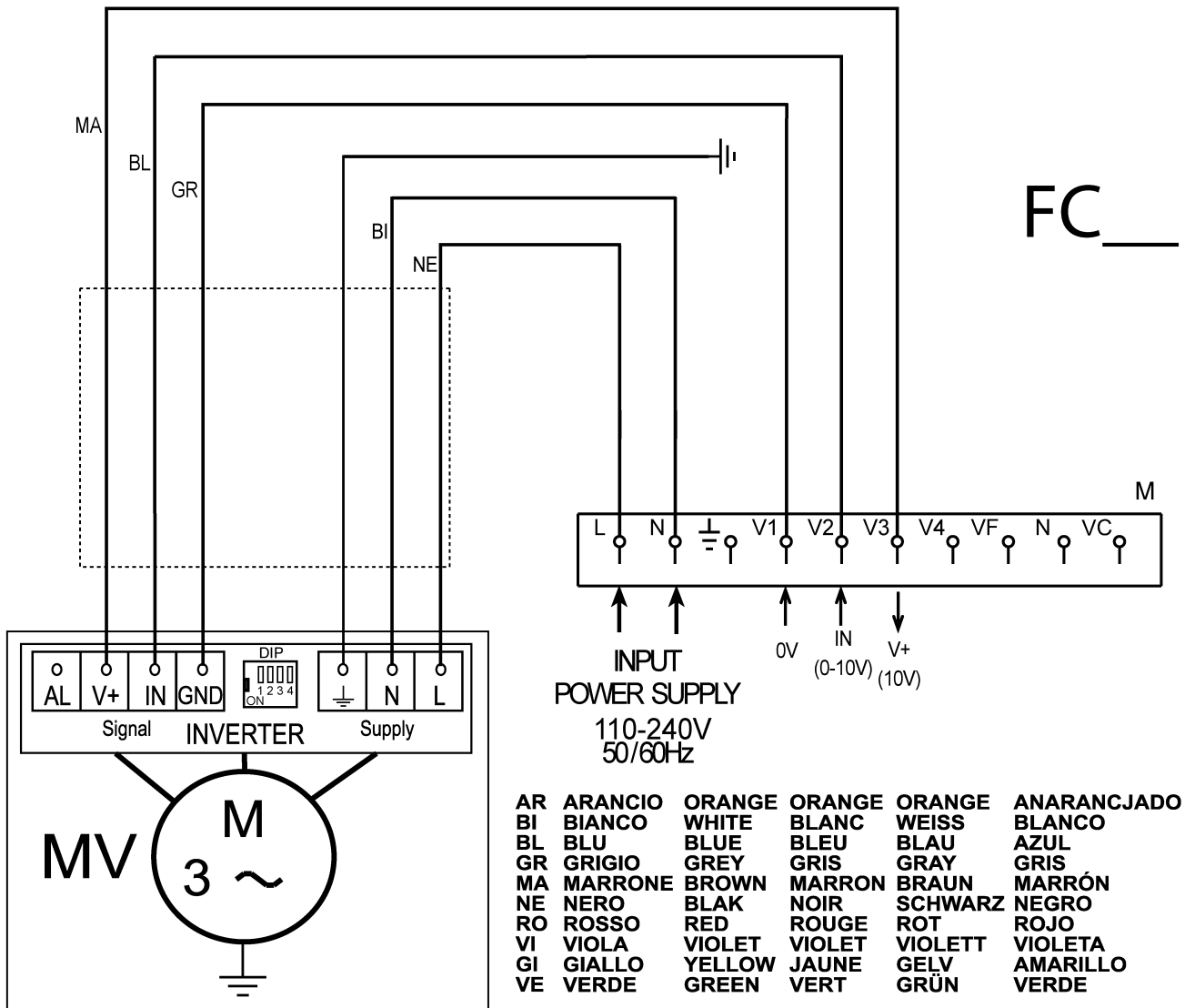
SCHEMI ELETTRICI • WIRING DIAGRAMS • SCHEMAS ELECTRIQUES • SCHALTPLÄNE • ESQUEMAS ELÉCTRICOS

LEGENDA • READING KEY • LEGENDE • LEGENDE • LEYENDA

- IG** = Interruttore generale
Main switch
Interupteur général
Hauptschalter
Interrupctor general
- M** = Morsettiera
Terminal board
Boitier
Klemmleiste
Placa de bornes
- MV** = Motore ventilatore
Fan motor
Moteur ventilateur
Ventilatormotor
Motor del ventilador
- PE** = Collegamento a terra
Earth connection
Mise à terre
Erdanschluss
Toma de tierra

- SC** = Scheda di controllo
Electronic control board
Platine de contrôle
Steuerschaltkreis
Tarjeta electrónica de control
-  = Componenti non forniti
Components not supplied
Composants non fournis
Nicht lieferbare Teile
Componentes no suministrados
-  = Componenti forniti optional
Optional components
Composants en option
Optionsteile
Componentes opcionales
- - -** = Collegamenti da eseguire in loco
On-site wiring
Raccordements à effectuer in situ
Vor Ort auszuführende Anschlüsse
Cableado in situ

- AR** = Arancio • Orange • Orange • Orange • Naranja
- BI** = Bianco • White • Blanc • Weiss • Blanco
- BL** = Blu • Blue • Bleu • Blau • Azul
- GR** = Grigio • Grey • Gris • Gray • Gris
- MA** = Marrone • Brown • Marron • Braun • Marrón
- NE** = Nero • Black • Noir • Schwarz • Negro
- RO** = Rosso • Red • Rouge • Rot • Rojo
- VE** = Verde • Green • Vert • Grün • Verde
- VI** = Viola • Violet • Violet • Violet • Violeta



Dis.5868700_00

All wiring diagrams are constantly updated. Please refer to the ones supplied with the unit. Nos schémas électriques étant constamment mis à jour, il faut absolument se référer à ceux fournis à bord de nos appareils.

TROUBLE SHOOTING

PROBLEMA • PROBLEM PROBLEME • PROBLEM PROBLEMA	PROBABILE CAUSA • PROBABLE CAUSE CAUSE PROBABLE • MÖGLICHE URSACHE CAUSA PROBABLE	SOLUZIONE • REMEDY SOLUTION • ABHILFE SOLUCIÓN
Poca aria in uscita. Feeble air discharge. Il y a peu d'air en sortie. Schwacher Luftstrom am Austritt. Poco aire en salida.	Errata impostazione della velocità sul pannello comandi. Wrong speed setting on the control panel. Mauvaise préselection de la vitesse sur le panneau de commandes. Falsche Geschwindigkeitseinstellung am Bedienpaneel. Programación errada de la velocidad en el tablero de mandos. Filtro intasato. Blocked filter. Filtre encrassé. Filter verstopft. Filtro atascado.	Scegliere la velocità corretta sul pannello comandi. Select the speed on the control panel. Choisir la vitesse sur le panneau de commandes. Die Geschwindigkeit am Bedienpaneel wählen. Elegir la velocidad correcta en el tablero de mandos. Pulire il filtro. Clean the filter. Nettoyer le filtre. Filter reinigen. Limpiar el filtro.
Non fa caldo. It does not heat. Pas de chaleur. Keine Heizung. No hace calor.	Ostruzione del flusso d'aria (entrata e/o uscita). Obstruction of the air flow (inlet and/or outlet). Obstruction du flux d'air (entrée/sortie). Luftstrom behindert (Eintritt bzw. Austritt). Obstrucción del chorro del aire (entrada y/o salida). Mancanza di acqua calda. Poor hot water supply. Il n'y a pas d'eau chaude. Kein Warmwasser. Falta de agua caliente.	Rimuovere l'ostruzione. Remove the obstruction. Enlever l'objet faisant obstruction. Verstopfung beseitigen. Quitar la obstrucción. Controllare la caldaia. Control the boiler. Vérifier la chaudière. Kaltwasserseitigen Wärmeaustauscher kontrollieren. Comprobar el calentador.
Non fa freddo. It does not cool. Pas de froid. Keine Kühlung. No hace frío.	Impostazione errata del pannello comandi. Wrong setting on control panel. Mauvaise préselection sur le panneau de commandes. Falsche Einstellung am Bedienpaneel. Programación errada del tablero de mandos. Mancanza di acqua fredda. Poor chilled water supply. Il n'y a pas d'eau froide. Kein Kaltwasser. Falta de agua fría.	Impostare il pannello comandi. See control panel settings. Préselectionner au panneau de commandes. Richtige Einstellung am Bedienpaneel vornehmen. Programar el tablero de mandos. Controllare il refrigeratore. Control the chiller. Vérifier le réfrigérateur. Kaltwasserseitigen Wärmeaustauscher kontrollieren. Comprobar el refrigerador.
Il ventilatore non gira. The fan does not turn. Le ventilateur ne tourne pas. Ventilator Arbeitet nicht. El ventilador no gira.	Impostazione errata del pannello comandi. Wrong setting on control panel. Mauvaise préselection sur le panneau de commandes. Falsche Einstellung am Bedienpaneel. Programación errada del tablero de mandos. Mancanza di corrente. No current. Il n'y a pas de courant. Kein Strom. Falta de corriente. L'acqua non ha raggiunto la temperatura d'esercizio. The water has not reached operating temperature. L'eau n'a pas atteint la température de service. Das Wasser hat die Betriebstemperatur nicht erreicht. El agua no ha alcanzado la temperatura de ejercicio.	Impostare il pannello comandi. See control panel settings. Préselectionner au panneau de commandes. Richtige Einstellung am Bedienpaneel vornehmen. Programar el tablero de mandos. Controllare la presenza di tensione elettrica. Control the power supply. Contrôler l'alimentation électrique. Kontrollieren, ob Spannung anliegt. Comprobar la presencia de tensión eléctrica. Controllare la caldaia o il refrigeratore. Controllare il settaggio del termostato. Please check up the boiler or the chiller. Check up the thermostat settings. Contrôler la chaudière ou le refroidisseur. Contrôler le réglage du thermostat. Das Heiz- oder Kühlaggregat überprüfen. Die Einstellungen des Temperaturreglers überprüfen. Comprobar el calentador o el refrigerador. Comprobar la programación del termostato.
Fenomeni di condensazione sulla struttura esterna dell'apparecchio. Condensation on the unit cabinet. Phénomènes de condensation sur la structure extérieure de l'appareil. Kondenswasserbildung am Gerät. Fenómenos de condensación en la estructura externa del aparato.	Sono state raggiunte le condizioni limite di temperatura e umidità descritte in "MINIMA TEMPERATURA MEDIA DELL'ACQUA". The limit conditions of temperature and humidity indicated in "MINIMUM AVERAGE WATER TEMPERATURE" have been reached. On a atteint les conditions limite de température et d'humidité indiquées dans "TEMPERATURE MINIMALE MOYENNE DE L'EAU". Erreichen der maximalen Temperatur- und Feuchtigkeitswerte (siehe Abschnitt "DURCHSCHNITTLICHE MINDEST - WASSERTEMPERATUR"). Se han alcanzado las condiciones límites de temperatura y humedad descritas en "MÍNIMA TEMPERATURA MEDIA DEL AGUA".	Innalzare la temperatura dell'acqua oltre i limiti minimi descritti in "MINIMA TEMPERATURA MEDIA DELL'ACQUA". Increase the water temperature beyond the minimum limits indicated in "MINIMUM AVERAGE WATER TEMPERATURE". Elever la température de l'eau au-delà des limites minimales indiquées dans "TEMPERATURE MINIMALE MOYENNE DE L'EAU". Wassertemperatur über die um Abschnitt "DURCHSCHNITTLICHE MINDEST - WASSERTEMPERATUR" angegebenen min. Werte erhöhen. Aumentar la temperatura del agua por encima de los límites descritos en "Mínima temperatura media del agua".

Per anomalie non contemplate, interpellare tempestivamente il Servizio Assistenza.

For anomalies don't hesitate, contact the aftersales service immediately.

Pour toute anomalie non répertoriée, consulter le service après-vente.

Sich bei hier nicht aufgeführten Störungen umgehend an den Kundendienst wenden.

En el caso de anomalías no contempladas, ponerse en contacto de inmediato con el Servicio de Asistencia.

DECOMMISSIONING AND DISPOSAL OF THE MACHINE COMPONENTS

When components are removed to be replaced or when the entire unit reaches the end of its life and it must be removed from the installation, in order to minimise the environmental impact, respect the following disposal requirements:

- The structure, electric and electronic equipment and components must be separated according to their type and construction material and brought to collection centres;
- If the water circuit contains mixtures with anti-freeze, the content must be collected and brought to collection centres;
- Observe the current national laws

MISE HORS SERVICE ET DÉMANTÈLEMENT DES COMPOSANTS DE LA MACHINE

Lorsque des composants sont enlevés pour être remplacés ou lorsque l'ensemble de l'unité arrive à la fin de sa vie et qu'il faut la retirer de l'installation, respecter les consignes d'élimination suivantes afin de minimiser l'impact environnemental :

- La structure, l'équipement et les composants électriques et électroniques doivent être divisés en fonction du type de marchandises et de matériau de constitution et ils doivent être remis aux centres de collecte ;
- Si le circuit hydrique contient des mélanges avec des substances antigel, le contenu doit être récupéré et remis à des centres de collecte ;
- Respecter les lois nationales en vigueur



This marking indicates that this product should not be disposed with other household wastes throughout the EU. To prevent possible harm to the environment or human health from uncontrolled disposal of Waste Electrical and Electronic Equipment (WEEE), please return the device using appropriate collection systems, or contact the retailer where the product was purchased. Please contact your local authority for further details. Illegal dumping of the product by the user entails the application of administrative sanctions provided by law



Cette étiquette indique que le produit ne doit pas être jetés avec les autres déchets ménagers dans toute l'UE. Pour éviter toute atteinte à l'environnement ou la santé humaine causés par une mauvaise élimination des déchets d'équipements électriques et électroniques (DEEE), se il vous plaît retourner l'appareil à l'aide de systèmes de collecte appropriés, ou communiquer avec le détaillant où le produit a été acheté . Pour plus d'informations se il vous plaît communiquer avec l'autorité locale appropriée. Déversement illégal du produit par l'utilisateur entraîne l'application de sanctions administratives prévues par la loi



AERMEC S.p.A.
37040 Bevilacqua (VR) Italia–Via Roma, 996
Tel. (+39) 0442 633111
Telefax (+39) 0442 93577
www.aermeccom

