

WRPE10

USER MANUAL



■ WIRED CONTROLLER

This manual gives detailed description of the precautions that should be brought to your attention during operation.

Please read this manual carefully before using the unit to ensure correct service of the wired controller.

For convenience of future reference, keep this manual after reading it.

All the pictures in this manual are for explanation purpose only. There may be slightly different from the wired remote controller you purchased (depend on model). The actual shape shall prevail.

Dear Customer,

Thank you for wanting to learn about a product Aermec. This product is the result of many years of experience and in-depth engineering research, and it is built using top quality materials and advanced technologies.

The manual you are about to read is meant to present the product and help you select the unit that best meets the needs of your system.

However, please note that for a more accurate selection, you can also use the Magellano selection program, available on our website.

Aermec, always attentive to the continuous changes in the market and its regulations, reserves the right to make all the changes deemed necessary for improving the product, including technical data.

Thank you again.

Aermec S.p.A.

COMPANY CERTIFICATIONS



SAFETY CERTIFICATIONS



TABLE OF CONTENTS

1	Information	3
2	Explanation of Symbols	6
2.1	Information for correct disposal of the product	6
3	General warnings	7
4	Remote control wiring	8
4.1	Wiring diagram.....	9
4.2	Installation diagrams	10
5	Dimensions	13
6	Preparation before Installation	14
7	Installation	15
8	User interface (buttons)	17
9	User interface (display)	18
10	Basic functions	19
10.1	Auto function.....	19
10.2	Cool - Heat - Fan function.....	19
10.3	Dry function	19
10.4	"Follow Me" function	19
10.5	Set delivery fin (swing).....	20
10.6	Timer function	21
10.7	Anti-freeze function	22
10.8	Setting the unit of measurement	23
10.9	Set the head in Duct units	23
11	Troubleshooting	24

2 EXPLANATION OF SYMBOLS

WARNING



Indicates a hazardous situation which, if not avoided, could result in death or serious injury.

CAUTION



Indicates a hazardous situation which, if not avoided, could result in minor or moderate injury.

PROHIBITION



Indicates a prohibited action which, if not avoided, could result in death or serious injury.

NOTICE



IMPORTANT additional information on how to use the product.

2.1 INFORMATION FOR CORRECT DISPOSAL OF THE PRODUCT



■ This marking indicates that this product should not be disposed with other household wastes throughout the EU. To prevent possible harm to the environment or human health from uncontrolled waste disposal, recycle it responsibly to promote the sustainable reuse of material resources. To return your used device, please use the return and collection systems or contact the retailer where the product was purchased. They can take this product for environmental safe recycling.

3 GENERAL WARNINGS

WARNING



Please entrust the installation of the unit to authorized professional technicians.



Installation by unqualified personnel may cause imperfect installation, electric shock or fire.



Follow the instructions given in the installation manual.



Improper installation may lead to electric shock or fire.



Reinstallation must be performed by professionals.



Random uninstallation may lead to abnormal operation, heating or fire of the unit.

PROHIBITION



Do not uninstall the unit randomly.



Do not install the unit in places vulnerable to flammable gas leaks. If flammable gases are released around the panel, a fire may occur.



Do not handle the unit or touch the buttons of the remote control or control panel when your hands are wet. Risk of electric shock.

NOTICE



The wiring should adapt to the wire controller current, otherwise electric leakage or heating may occur and result in fire.



The specified cables must be used for connection. No external force can be applied to the terminal, otherwise it may cause tearing of the wires or overheating resulting in a fire.

Aermec will not be liable for damage due to failure to follow these instructions.

4 REMOTE CONTROL WIRING

WARNING



The wiring should adapt to the wire controller current, otherwise electric leakage or heating may occur and result in fire.



The specified cables must be used for connection. No external force can be applied to the terminal, otherwise it may cause tearing of the wires or overheating resulting in a fire.

CAUTION



Check if the grounding is reliable.



The connecting cable should not be longer than 20m.



The panel operates on low voltage circuits. Do not connect a 220V or 380V cable to the circuit.

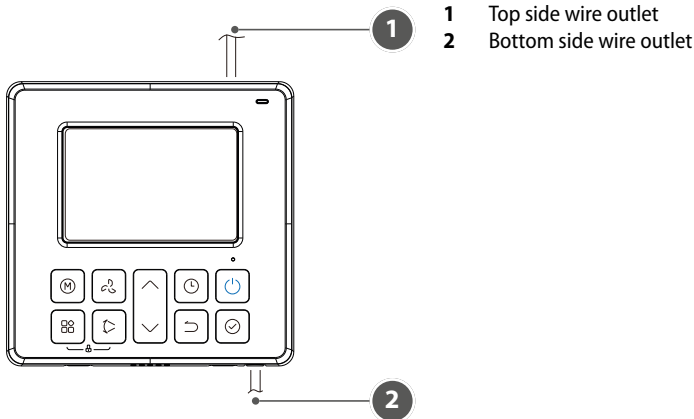


Make sure that configured tubes are at least 30-50cm or more apart.

PROHIBITION

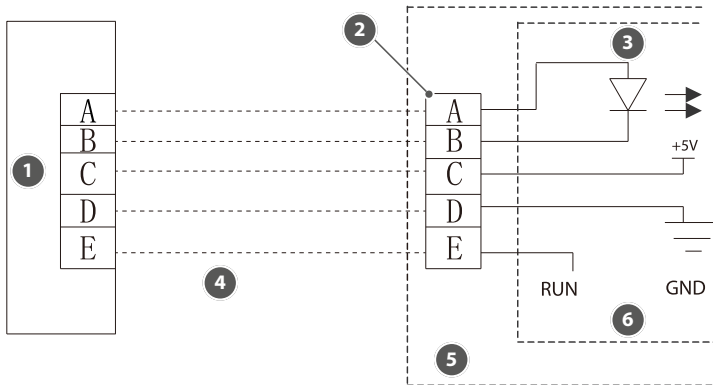


Do not employ an ohmmeter to detect the insulation after wiring the remote control.



4.1 WIRING DIAGRAM

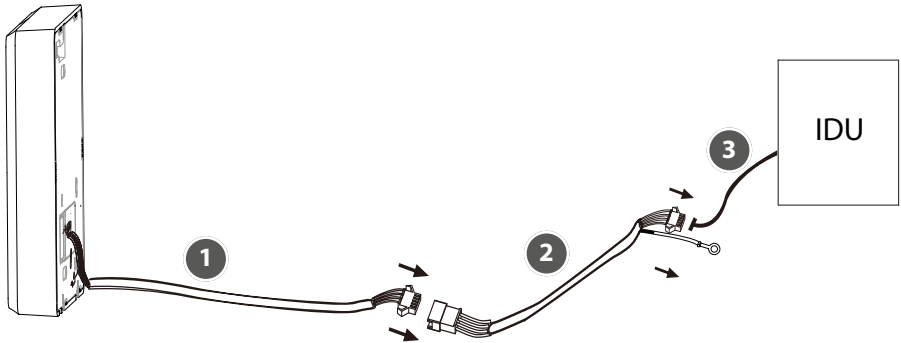
Refer to the following diagram to connect the wire panel to the indoor unit, with wall mounting:



- 1 Wired Controller
- 2 Connector (5p)
- 3 Infrared receiver
- 4 5-core shield cable
- 5 Indoor unit
- 6 Indoor unit switch board

4.2 INSTALLATION DIAGRAMS

Connect the wired panel cable (1) to the connection cable (2) supplied with the wired panel. Then connect the cable (2) with the indoor unit cable (3).



- 1 Connecting cable for wired panel
- 2 Shielded connection cable
- 3 Indoor unit cable

NOTICE



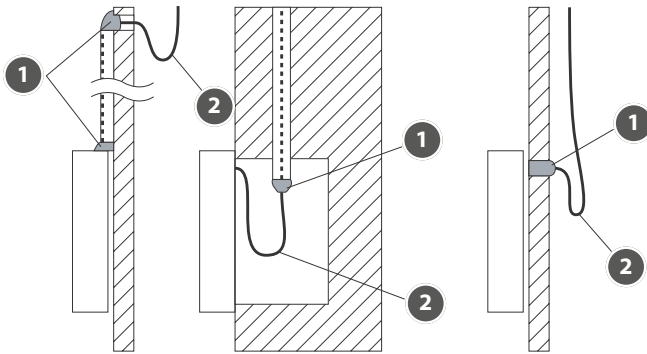
Be sure to reserve a length of connecting cable for periodic maintenance. If there is a connection lug at the end of the shielded cable, it must be properly grounded.

PROHIBITION



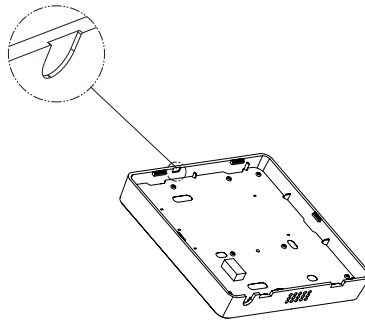
Do not get water or water into the flush panel.

Use sealant to seal the wires.

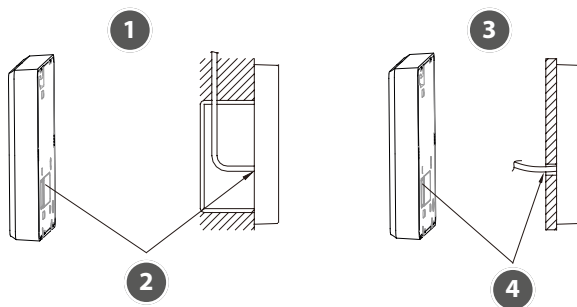


- 1 Sealant
- 2 Siphon

A. For exposed mounting cut holes on four of the sides according to Figure:



B. For shielded wiring please refer to Figure:



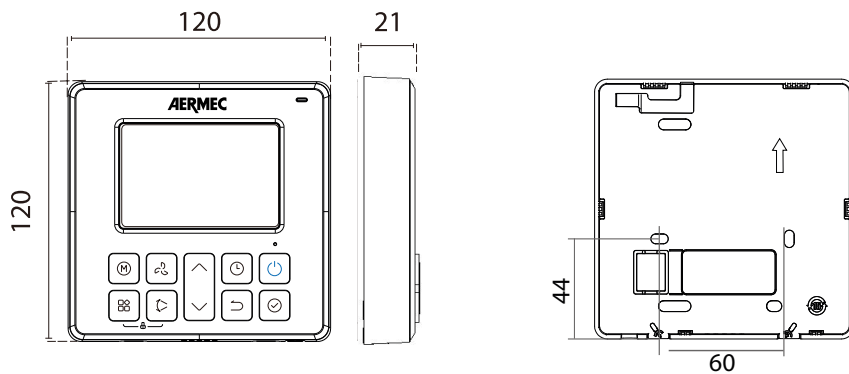
- 1 Wiring of the electric control
- 2 Wiring hole
- 3 Wiring through the wall
- 4 Diameter of wall hole: 2cm

PROHIBITION



Do not handle the unit or touch the buttons of the remote control or control panel when your hands are wet, risk of electric shock.

5 DIMENSIONS



Units of measure: mm

6 PREPARATION BEFORE INSTALLATION

Before installation:

1. Ensure you have the following parts:

N.	Description	Quantity	Note
1	Wired Controller	1	
2	QR code sheet	1	
3	Fixing screws M4x20	3	For mounting on the wall
4	Fixing screws M4x25	3	For mounting on switch box
5	Connecting cable for wired panel	1	Supplied as standard
6	Tapping lock screw and washer M4x8	1	For fixing connection cable

2. Prepare the following tools:

N.	Description	Quantity
1	Switch	1
2	Wiring tube (insulating sleeve and tightening screw)	1

3. Select installation location

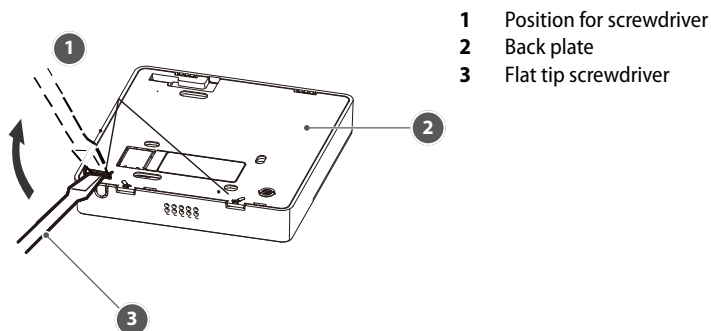
PROHIBITION



Do not install the panel near flammable liquids or gases, this could create a fire.

7 INSTALLATION

1. Remove the top panel of remote control. Insert a screwdriver into the two slots at the bottom of the remote control to pop off the top panel.

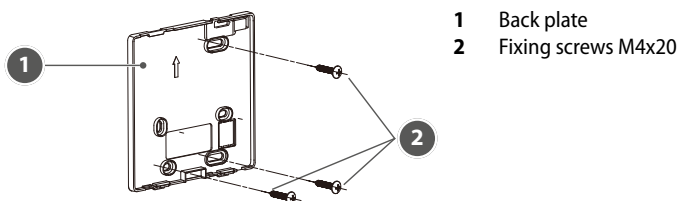


NOTICE

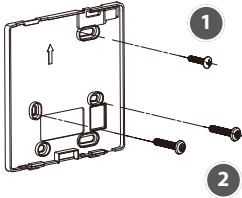


The PCB electronic board is mounted in the upper part of the remote control. Be careful not to damage the board with the screwdriver.

2. Mount the back plate of the remote control:
 - A. For exposed mounting, fasten the back plate to the wall with 3 screws (M4x20) and anchors.



- B.** For flush mounting, fasten the back plate to the switch box with 2 screws (M4x25) and fasten the back plate to the wall with 1 screw (M4x25).



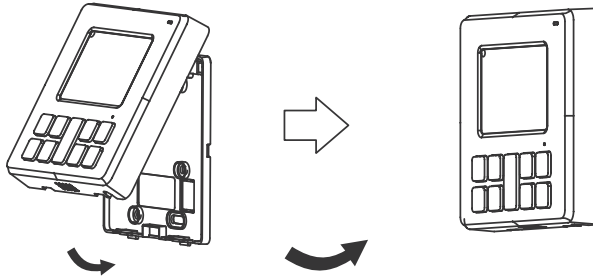
- 1 Screw hole fixed on the wall, use M4x25 fixing screw
- 2 Hole for screw installed on the electrical panel, use two M4x25 fixing screws

NOTICE



Place the unit on a flat surface. Be careful not to distort the back plate of the remote control by over tightening screws.

- 3.** Reattach the top panel of the remote control.

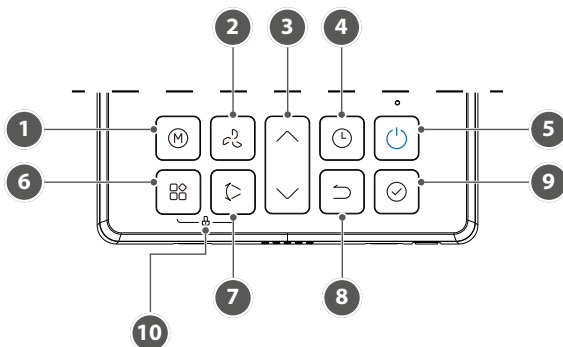


PROHIBITION



Do not clamp the wires when reattaching the top panel.

8 USER INTERFACE (BUTTONS)



Key functions

Number	Description	Function
1	Mode	Scrolls through operation modes as follows: "AUTO - COOL - DRY - HEAT - FAN".
2	Fan speed	Selects fan speeds in the following order: "AUTO LOW MED HIGH".
3	Increase and decrease	Use to make the required temperature setting.
4	Timer	Activates, deactivates or changes the programmed switch on or off timer
5	On/Off	Switches indoor unit ON/OFF
6	Functions available	Scrolls through operation functions as follows: "TURBO - SLEEP - CLEAN - FOLLOW ME".
7	Deflector (SWING)	Set the swing status of central air conditioners.
8	Back	Press the key to return to the previous page and/or setting.
9	Confirm	Press it to upload setting parameters after setting any parameter.
10	Child Lock	Allows you to lock/unlock the keys.

PROHIBITION

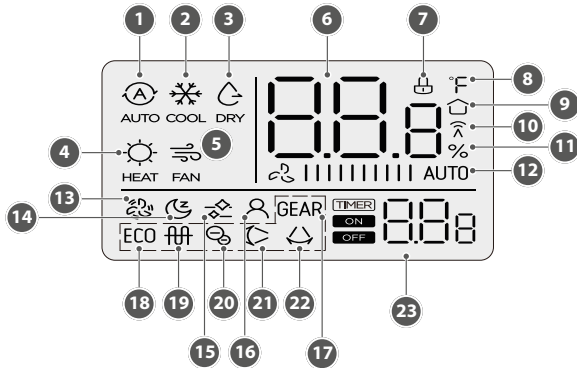


Do not disassemble the device or remove its internal parts.



Do not use sharp or pointed objects to press the panel buttons.

9 USER INTERFACE (DISPLAY)



LCD Display instruction

Number	Description	Function
1	Automatic	Indicates the AUTOMATIC mode is active
2	Cooling	Cooling mode
3	De-Humidification	Dry mode
4	Heating	Heating mode
5	Ventilation	Indicates the VENTILATION mode is active
6	Temperature display	It shows the value of temperature, and displays the current type of value
7	Child Lock	Indicates that the key lock function is active on the panel
8	Unit of measurement	Indicates the unit of measurement for the temperature setpoints (°C or °F)
9	Ambient temperature	Indicates the room temperature display
10	Control signal	Indicates the setting has been transmitted to the receiver located on the indoor unit
11	Stepless fan speed	Function not available
12	Fan speed	Indicates the current fan setting
13	Turbo	Indicates the TURBO mode is active
14	Night time well-being (SLEEP)	Indicates the SLEEP function is active
15	Clean	Function not available
16	Follow me	Indicates the FOLLOW ME function is active
17	GEAR	Function not available
18	ECO	Function not available
19	Electric heater	Function not available
20	FRESH	Function not available
21	Vertical SWING	Indicates that the vertical SWING function was activates
22	Horizontal SWING	Indicates that the horizontal SWING function was activates (only for MGE_FS units)
23	Timer zone	Timer status is displayed

10 BASIC FUNCTIONS

Below are instructions for using the basic functions of the unit.

10.1 AUTO FUNCTION

In AUTO mode, the unit will automatically select to COOL, HEAT, FAN or DRY function based on the set temperature.

1. Press MODE button and select AUTO mode.
2. Set your desired temperature using the \wedge and \vee buttons (in AUTO mode, fan speed can not be set).
3. Press the On/Off button to start the unit.

NOTICE



In AUTO mode the fan speed is set automatically and cannot be changed.

10.2 COOL - HEAT - FAN FUNCTION

1. Press the MODE button to select COOL, HEAT or FAN.
2. Set your desired temperature using the \wedge and \vee buttons.
3. Press the button to select the fan speed.
4. Press the On/Off button to start the unit.

NOTICE



In Fan mode the temperature cannot be changed.

10.3 DRY FUNCTION

1. Press the MODE button and select DRY mode.
2. Set your desired temperature using the \wedge and \vee buttons.
3. Press the On/Off button to start the unit.




NOTICE



In DRY mode the fan speed buttons cannot be used.

10.4 "FOLLOW ME" FUNCTION

By default, the indoor unit uses the room temperature probe located on the intake. To improve comfort and obtain a more accurate measurement of the actual temperature in the room, the temperature probe integrated in the wired panel can be used.


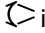
1. Activate the "Follow Me" function from the control panel to enable the integrated temperature probe by pressing the confirmation button once, and the  icon will light up on the panel.
2. When the "Follow Me" function is selected, press the confirm button again to cancel the Follow Me function and  icon will turn off.
3. "Follow Me" function is invalid in DRY and FAN mode. "Follow Me" function is not canceled when pressing the MODE key or powering off. Only select "Follow Me" in the function key and confirm to cancel or press 8 degrees HEATING function to cancel "Follow Me".
4. Press the  function button to enter the setting selection of available functions and its displayed in the following order:

TURBO (🌀) → SLEEP (🌙) → CLEAN (🌀) → FOLLOW ME (👤) → TURBO (🌀)

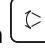

The select symbol will flash on the display area, press the OK button to confirm.

10.5 SET DELIVERY FIN (SWING)

1. Vertical discharge fin setting

Press the SWING button  to start up-down swing function. The  icon appears. Press it again to stop the function.

2. Horizontal discharge fin setting

Press the SWING button  for 2 seconds to start left-right swing function. The  icon appears. Press it for 2 seconds again to stop the function.

3. Activating / Deactivating the keyboard lock (CHILD LOCK)

Press and hold the  button and the  button for 3 seconds to activate and/or deactivate the key lock.

10.6 TIMER FUNCTION

Unit has two timer-related functions:

Timer ON: sets the amount of time after which the unit will automatically turn on (Delayed on).

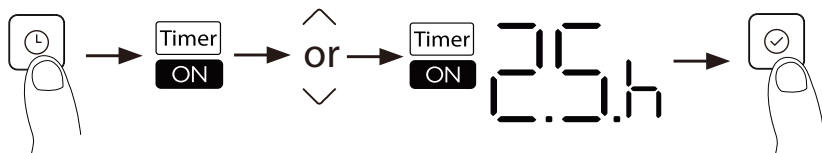
Timer OFF: sets the amount of time after which the unit will automatically turn off (Delayed off).

1. Timer ON function

The Timer ON function allows you to set a period of time after which the unit will automatically turn on, such as when you come home from work.

- A. Press Timer ON button, by default, the last time period that you set and an "H" (indicating hours) will appear on the display.
- B. Press Timer ON button repeatedly to set the time you want the unit to turn on.
- C. Wait 3 seconds then the TIMER ON function will be activated. The digital display on your remote control will then return to the temperature display.

Example: Setting unit to turn on after 2,5 hours.



NOTICE

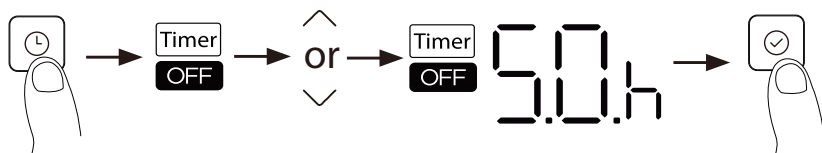


This number indicates the amount of time after the current time that you want the unit to turn on. For example, if you set TIMER ON for 2 hours, "2.0H" will appear on the screen and the unit will turn on after 2 hours.

2. Timer OFF function

The Timer OFF function allows you to set a period of time after which the unit will automatically turn off, such as when you wake up.

Example: Setting unit to turn on after 5 hours.

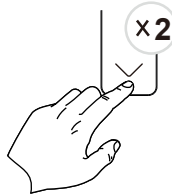


NOTICE

When setting the Timer ON or Timer OFF functions, up to 10 hours, the time will increase in 30 minute increments with each press. After 10 hours and up to 24, it will increase in 1 hour increments. The timer will revert to zero after 24 hours. You can turn off either function by setting its timer to "0.0H".

10.6.1 Setting both Timer ON and Timer OFF at the same time (Combined timer)

Keep in mind that the time periods you set for both functions refer to hours after the current time. For example, say that the current time is 13:00 and you want the unit to turn on automatically at 19:00. You want it to operate for 2 hours, then automatically turn off at 21:00.

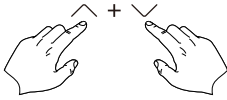
10.7 ANTI-FREEZE FUNCTION



The unit will operate at high fan speed (while compressor on) with temperature automatically set to 8°C.

NOTICE




Press this button 2 times during one second under heat mode and setting temperature of 17°C to activate Anti-freeze function. Press On/Off, Sleep, Mode, Fan and Temperature button while operating will cancel this function.

10.8 SETTING THE UNIT OF MEASUREMENT



Press the button  and  for 3 seconds will alternate the temperature display between the °C & °F scale.

10.9 SET THE HEAD IN DUCT UNITS

- Press and hold the  and  keys simultaneously for 7 seconds to enter the advanced settings.
- Select channel 8.
- Press and hold the  key for 2 seconds to access the parameter setting and choose the "AF" test mode.

There are different values in channel 8, the default value is SP1.

11 TROUBLESHOOTING

Anomaly	Possible causes	Solutions
The fan speed cannot be changed	Check whether AUTO mode is selected	In AUTO mode the fan speed is set automatically and cannot be changed.
	Check whether DRY mode is selected	In DRY mode, the fan speed button is ineffective. The fan speed can only be changed in cool, fan and heat mode.
The temperature display is off	Check whether FAN mode is selected	In Fan mode the temperature cannot be changed.
The Timer OFF disappears after a period of time	If the Timer OFF function was activated, the operation may have finished.	The unit will automatically stop at the set time and the indicator light will turn off.
The Timer ON indicator disappears after a period of time	If the Timer ON function was activated, the operation may have finished.	The unit will automatically start at the set time and the indicator light will turn off.
There is no sound when the On/Off button is pressed	Check whether the signal transmitter of the remote control is properly directed towards the infrared signal receiver of the indoor unit.	Point the remote control directly at the receiver and press the On/Off button twice.

SCARICA L'ULTIMA VERSIONE:



<http://www.aermec.com/qrcode.asp?q=21569>

DOWNLOAD THE LATEST VERSION:



<http://www.aermec.com/qrcode.asp?q=21570>

TÉLÉCHARGER LA DERNIÈRE VERSION:



<http://www.aermec.com/qrcode.asp?q=21571>



Aermec S.p.A.

Via Roma, 996 - 37040 Bevilacqua (VR) - Italia

Tel. +39 0442 633 111 - Fax +39 0442 93577

marketing@aermec.com - www.aermec.com

BITTE LADEN SIE DIE LETZTE VERSION
HERUNTER:



<http://www.aermec.com/qrcode.asp?q=21572>

DESCARGUE LA ÚLTIMA VERSIÓN:



<http://www.aermec.com/qrcode.asp?q=21573>